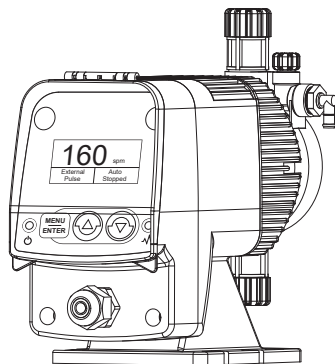


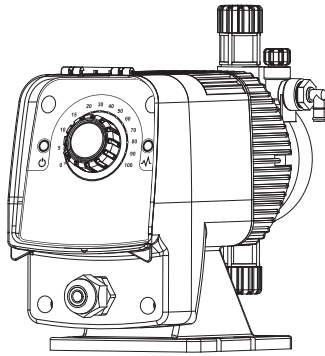
Series L

Manual



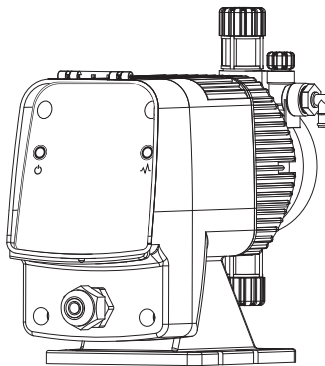
Series M

Manual



Series N

Manual



Precautions

Installation Location



Select a mounting location convenient to the chemical supply and power for the pump that will not flood. The ambient temperature should not exceed 120°F (50°C). Higher temperatures will affect the output and life of the pump. Do not use the standard poly tubing in direct sunlight.

Liquid Compatibility



Always refer to the solution supplier for compatibility of your specific model metering pump. Contact your supplier or local Advantage Controls distributor for further information.

Protective Clothing



Always wear protective clothing, face shield, safety glasses and gloves when working on or near a metering pump. Refer to solution's SDS precautions from your solution supplier.

Clear Vinyl Tubing



Pump may come with a roll of clear flexible vinyl tubing; it is not intended for pressurized use. It is only for connection to suction and prime return lines of the pump head and must not be used as discharge tubing.

Electrical Connections



To reduce the risk of electrical shock, the metering pump must be plugged into a properly grounded, grounding-type receptacle with ratings conforming to the data on the pump control panel. The pump must be connected to a good ground. **DO NOT USE ADAPTERS!** All wiring must conform to local electrical codes.

Ground Fault Circuit Interrupter



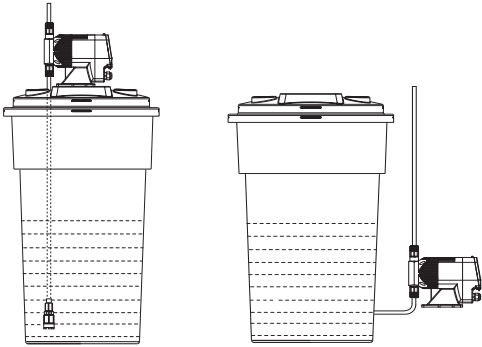
To reduce the risk of electric shock, install only on a circuit protected by a Ground Fault Circuit Interrupter (GFCI).

**For complete product documentation, please visit:
<https://www.advantagecontrols.com/literature.php>**



From here, you can quickly access:

- The latest product manuals and data sheets
- Product catalogs and promotional material
- Quick Steps, training videos, and more!



Suction Lift

Flooded Suction

Mounting

Flooded Suction

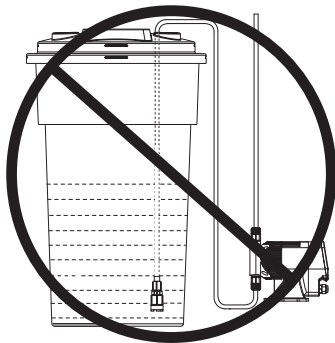
This installation is recommended for very low outputs, solutions that gasify and/or high viscosity solutions. Priming is easier and loss of prime is reduced.

Suction Lift Installation

Mount the pump around the top of the solution tank, not to exceed 5 feet from pump to bottom of tank.

Foot Valve Installation

A weight is provided to hold the tubing and foot valve in a vertical position at the bottom of the tank. Do not allow the foot valve to lay horizontally in the container. Keep suction tubing reasonably short and avoid high spots or bends.



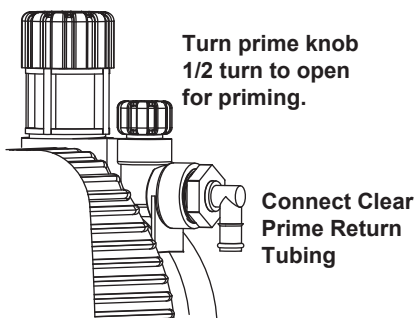
Not Recommended

Injection Valve Installation

The injection valve is designed to prevent a back flow and to inject solution into the line. To work properly, this valve must be mounted within 45° of vertical. One end of the injection valve is 1/2" MNPT. Install this end into the piping system. Connect the pump's discharge tubing to the opposite end of the injector.

Priming Valve Connection

Connect the clear poly tubing to the outlet of the priming valve. Position the free end of this tube in the solution container. Standard head configurations include a priming valve built into the head.



Turn prime knob
1/2 turn to open
for priming.

Connect Clear
Prime Return
Tubing

Tubing Nut Connections

Do not over-tighten the tubing connectors. Tighten the fittings no more than 1/4 turn after the fitting contacts the seal. Hand tighten only. Do not use a wrench or pliers as they may damage the fittings. Do not use Teflon tape except on NPT fittings.

WARNING: Clear flexible tubing is not intended for pressurized use.

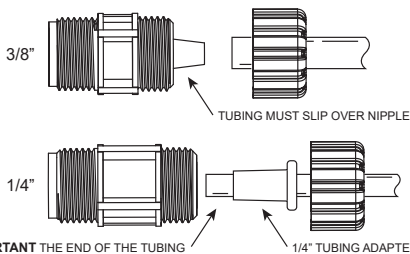
Startup

Priming the Pump

Plug in pump, set stroke to 100% and strokes per minute to maximum speed. While pump is operating, if fluid begins moving, no further priming is required. If fluid is not moving, open bleed valve approximately one turn until fluid begins to move. When suction line fills, close bleed valve. Do not over tighten bleed valve. Damage may occur.

Adjusting Feed Rate

MicroLinx pump speed can be turned down to reduce output. Standard strokes per minute settings available are: 0-200 strokes per minute.



3/8"

TUBING MUST SLIP OVER NIPPLE

1/4"

1/4" TUBING ADAPTER

IMPORTANT THE END OF THE TUBING