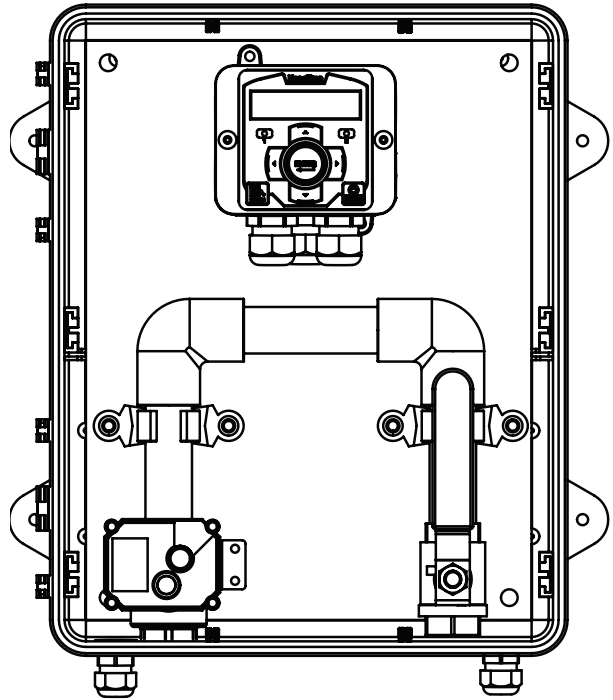




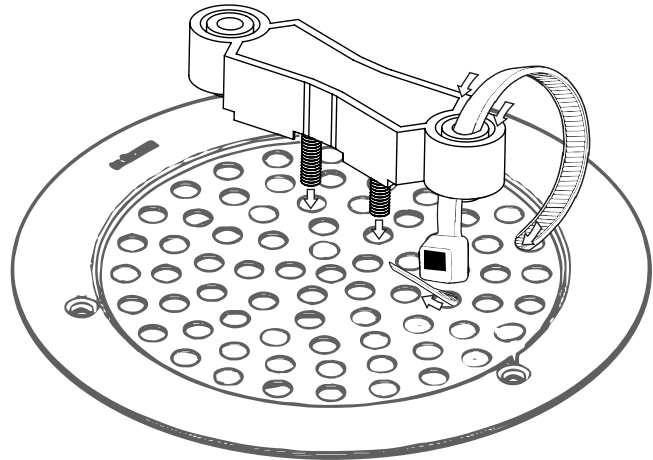
AFS System Quick Steps

AFS units are designed to automate flushing of waterlines to improve water quality and include:

- One conductivity-based drain overflow sensor programmed to disable relay 2 (flush).
- One flush valve pre-wired to relay 2 / feed timer.
- One flush timer: 28-day timer based on a 28-day cycle with two independent programmable flush cycles allowing for flush on selectable days and weeks.



Product Manual



For complete product documentation, please visit:
<https://www.advantagecontrols.com/literature.php>



From here, you can quickly access:

- The latest product manuals and data sheets
- Product catalogs and promotional material
- Quick Steps, training videos, and more!

