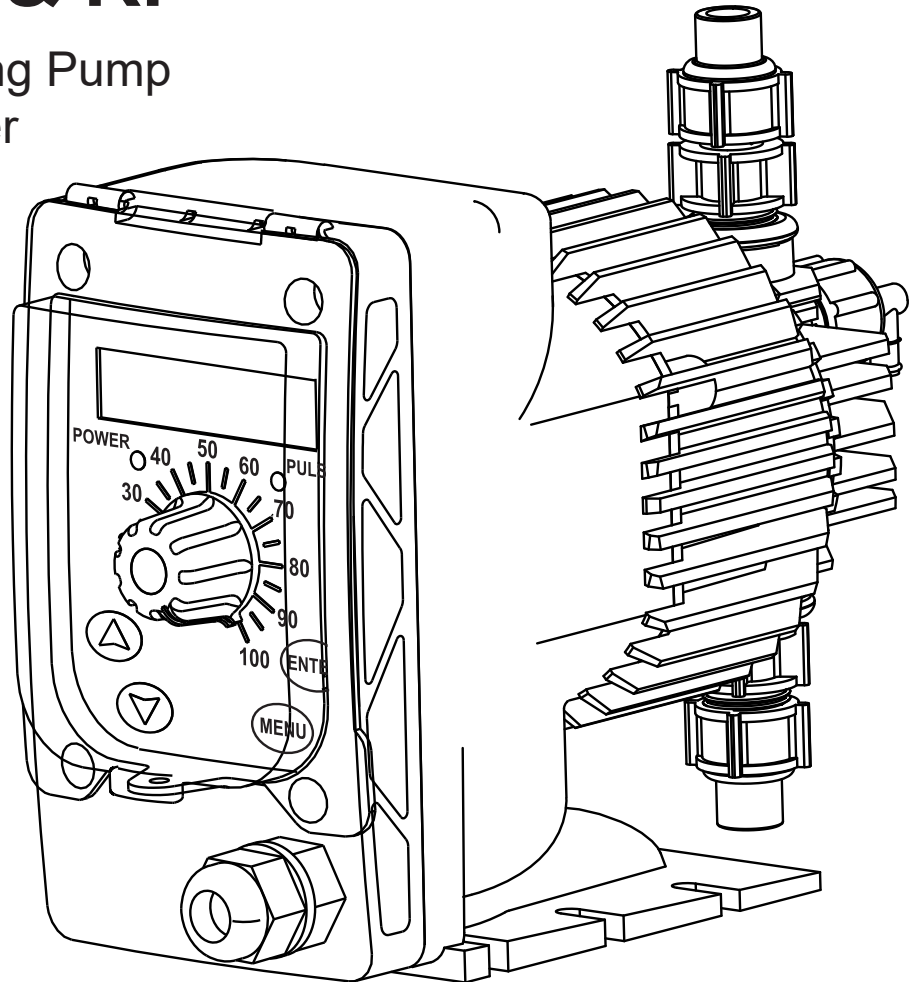


# Series R Models RO & RP

Combination Metering Pump  
ORP or pH Controller

## *Installation Maintenance Repair Manual*



Advantage Controls  
4700 Harold-Abitz Dr.  
Muskogee, OK 74403  
Phone: 800-743-7431  
Fax: 888-686-6212  
[www.advantagecontrols.com](http://www.advantagecontrols.com)  
email: [support@advantagecontrols.com](mailto:support@advantagecontrols.com)

09/2020

# Model RO and RP Pumps Instruction & Maintenance Manual Table of Contents

Contents	Page
I. Introduction .....	3
Model Numbering.....	3
II. Unpacking .....	4
III. Safety Considerations .....	4
IV. Installation.....	4
A. Mounting .....	4
B. Electrode Installation .....	5
C. Electrical .....	5
D. Chemical Injection Plumbing .....	5
V. Start-Up.....	8
A. Front Panel Description .....	8
B. Run Mode Explanation .....	8
C. Set-Up Mode Explanation.....	8
D. Priming the Pump .....	9
E. Stroking Speed or Frequency .....	9
F. Stroke Length .....	9
G. Calculating Output .....	9
H. Calibration.....	10
VI. Control Options .....	11
VII. Menu Maps .....	12
VIII. Maintenance .....	14
A. Diaphragm Replacement.....	14
B. Suction and Discharge Check Valve Replacement .....	14
C. Cleaning Probe.....	14
D. Liquid End Diagram .....	15
E. Pump Replacement Parts.....	16
IX. Diagrams.....	17
X. Trouble Shooting Guide .....	18
XI. Warranty and Factory Service Policies .....	20

# I. Introduction

This manual covers all facets of operation of the Advantage MicroTron™ pump, including unpacking, mounting, electrical and plumbing connection, and start-up. Safety, maintenance and repair, warranty, and factory information is also provided. Please read this manual completely before proceeding. Observe safety protocols and heed all warnings and precautions.

## Model Numbering

MicroTron™ Series R pump model numbers define the output, pressure and control functions present on a particular pump. Your pump may be supplied with one or more of the options described in this manual. To determine what features apply to your pump, check the model number label located on the pump.

### Model Number Example

**R O 30 X 1 - P V C 1 - S**

#### Control Function

- O** = ORP controlled with alarm relay output
- P** = pH controlled with alarm relay output

#### Output

- 30** = 30 gallons per day at 110 psi
- 55** = 55 gallons per day at 75 psi
- 15** = 15 gallons per day at 150 psi
- 17** = 17 gallons per day at 250 psi

#### Stop Function Options

- X** = Standard
- D** = Auto Stop
- E** = Flow Switch Assembly
- G** = Flow Switch

#### Voltage

- 1** = 120 volt with USA plug (standard)
- 2** = 240 volt no plug
- 3** = 240 volt with specified plug
- L** = 120 volt with US plug and no control relay pigtail

#### Pump Head Material

- P** = Glass-Filled Polypropylene (standard)
- K** = Kynar
- V** = PVC
- S** = Stainless

#### Seat Material

- V** = Viton (standard)
- F** = Teflon
- H** = Hypalon

#### Check Ball

- C** = Ceramic (standard)
- D** = Ceramic single on discharge
- S** = Stainless

#### Tubing Connections

- 1** = 3/8" PE, 75-200 psi (standard)
- 2** = 1/4" PE, 250 psi models (standard)
- P** = 1/4" MNPT
- U** = 3/8" black UV tubing, 200 PSI
- V** = 3/8" tubing w/clear suction, 200 PSI

#### Special Options

- S** = 3-function injection valve

NOTE: This list represents our most popular options. If you have an option not covered, contact the factory or your dealer for more details.

## II. Unpacking

MicroTron™ series pumps are shipped as a complete package, ready for installation. If the shipping carton shows any signs of damage, notify the shipping company immediately upon receipt. Advantage Controls cannot be held responsible for damage from shipping.

Unpack the carton and insure the following items are present:

1. Pump/controller
2. Suction, discharge and bleed tubing
3. Foot valve and weight
4. Probe and T assembly (unless otherwise ordered)
5. A two wire cable for possible connection to flow switch (optional)
6. Injection fitting
7. Instruction manual

## III. Safety Considerations

**NOTE: All MicroTron™ pumps are primed with water before leaving the factory. If the solution to be pumped is not compatible with water, disassemble the pump fluid end before use. After disassembly, thoroughly dry the pump head, valves, and seals before pump is reassembled and used.**

### A. Chemical Compatibility

MicroTron™ metering pumps are designed to work with most liquid chemicals depending upon your pump's liquid end materials of construction. A chemical resistance chart is available for determining specific compatibility with a wide variety of chemicals. If you have further compatibility questions, contact Advantage Controls service department at 1-800-743-7431.

### B. Safety and Preparation

Always wear the proper protective clothing and gear when working around chemicals and chemical metering pumps. Safety glasses, gloves, and aprons are critical in preventing accidental exposure to dangerous chemicals. Liquids under pressure can present a special hazard when a line or seal is punctured resulting in the spraying of chemical many yards away. If a chemical spillage occurs, consult the Material Safety Data Sheet (MSDS) for specific instructions regarding the chemical being used.

## IV. Installation

### A. Mounting

The standard MicroTron™ series pump is prewired for easy installation. Select a secure mounting location convenient to electrical and plumbing connections that is accessible by the operator. Do not install the pump in a location where the ambient temperature exceeds 120°F (50°C). The pump is suitable for most outdoor installations, shielding from direct exposure to the elements is recommended. The properties of solutions to be metered should also be considered concerning temperature changes and effects to poly tubing.

Accessory item R00225 (plastic mounting bracket) is recommend for a secure installation.

## B. Electrode Installation

The standard Model R is provided with a TPE-21 or TOE-21 quick disconnect probe and T assembly on an 10' lead. The tee has 3/4 " female slip connections. The probe must be installed vertical to the piping in a sample line having an inlet pressure higher than the outlet and 3-10 gpm flow for proper operation. Isolation valves on both sides of the probe assembly are needed to allow for easy removal of the probe for cleaning. See page 17 for probe and optional flow switch assembly diagrams.

**NOTE:**        **Chemical injection is typically downstream from the probe!**

## C. Electrical

1. The **Standard** MicroTron™ pump has a voltage regulated internal power supply capable of operating in the range of approximately 95 to 135 VAC. Use a supply voltage of 100 to 120 VAC for best results. The 3-wire grounded plug must be used in a 3-wire wall plug.
2. With a 240 volt option, the MicroTron™ pump has a voltage regulated internal power supply capable of operating in the range of approximately 195 to 260 VAC. Use a supply voltage of 210 to 250 VAC for best results. Pump is supplied without a country specific plug unless otherwise specified.

**CAUTION:**   **Never remove ground wire from plug!**

3. Control relay output voltage is equal to incoming line voltage with a 5 amp fuse.

- Notes:**
1.    **An isolated circuit breaker with a true earth ground is highly recommended to insure uninterrupted operation.**
  2.    **Low voltage signal wire (water meter signal or probe wire) should never be run in conduit with high voltage wire above 30 VAC.**

## D. Chemical Injection Plumbing

### 1. Piping Connections

The MicroTron™ pump uses carefully matched components to achieve a predictable metering output. This predictability can only be maintained if all fitting sizes remain unaltered. **Do not** attempt to reduce tubing size. All tubing connections should be double checked to insure against leakage. If hazardous chemicals are being pumped, use shielding around discharge tubing.

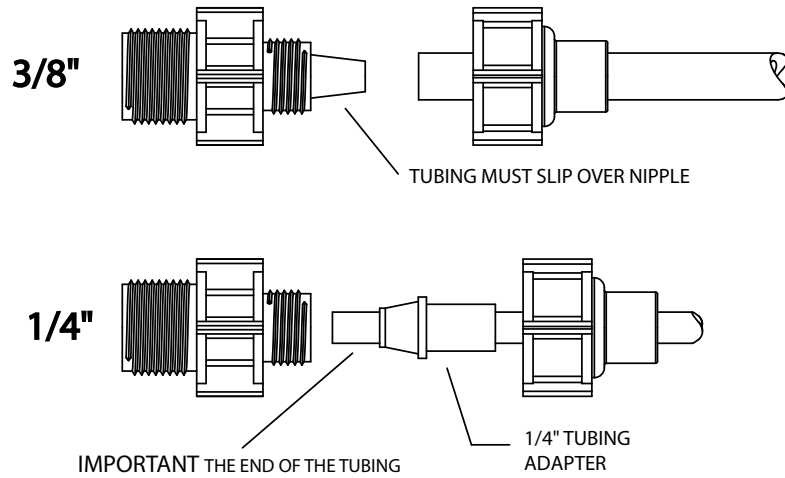
**NOTE:**    **When cutting lengths of tubing for your installation, ensure a clean, square cut. Use short lengths of tubing and as few connections as possible.**

### 2. Tubing Nuts

Do not overtighten the tubing connectors. Tighten the fittings no more than 1/4 turn after the fitting contacts the seal. Hand tighten only. **Do not use a wrench or pliers** as they may damage the fittings. Do not use Teflon tape except on NPT fittings. **Be sure to observe applicable local plumbing codes.**

**WARNING:**   **Clear flexible tubing is not intended for pressurized use.**

### 3. Tubing Connections



### 4. Suction Lift vs Flooded Suction Applications

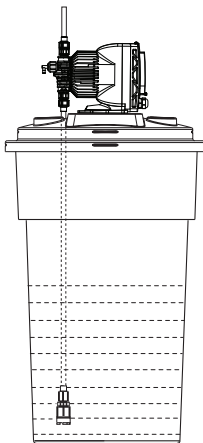
#### Suction Lift Installation

Mount the MicroTron™ pump around the top of the solution tank, not to exceed 5 feet from pump to bottom of tank.

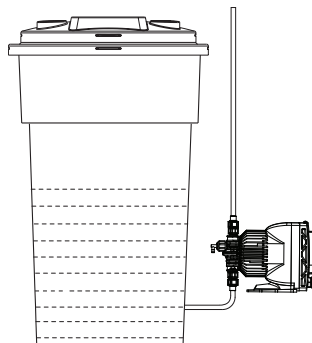
#### Flooded Suction

This installation is recommended for very low outputs, solutions that gasify and/or high viscosity solutions. Priming is easier and loss of prime is reduced. Failure of the pump diaphragm or rupture of the solution tubing can cause loss of solution in the tank.

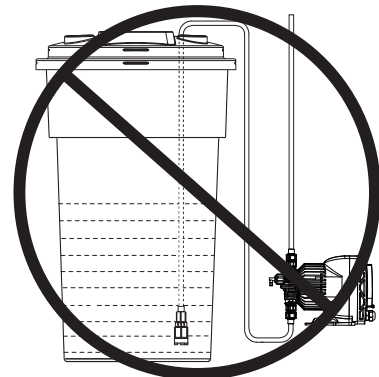
Suction lift



Flooded Suction



Not recommended

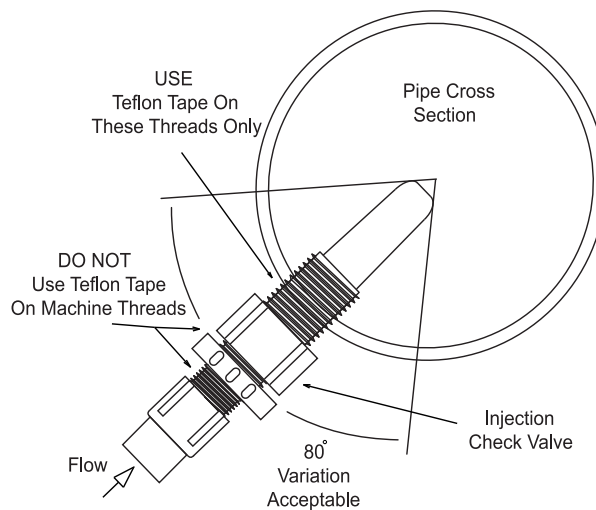


## 5. Foot valve installation

A weight is provided to hold the tubing and foot valve in a vertical position at the bottom of the tank. **Do not allow the foot valve to lay horizontally in the chemical container.** This defeats the action of the valve and causes the pump to lose prime. Keep suction tubing reasonably short and avoid high spots or bends.

## 6. Injection valve installation

The injection valve is designed to prevent a back flow and to inject chemical into the line. To work properly, this valve must be mounted within 45 degrees of vertical (see drawing). One end of the injection valve is 1/2" MNPT. Install this end into the piping system. Use Teflon tape on this fitting only. Connect the pump's discharge tubing to the opposite end of the injector. Do not use Teflon tape or joint compound on this fitting. Connect tubing between this fitting and the pump discharge fitting at the pump head.



**NOTE:** When installation is made into a line with zero pressure or when pumping into an open vessel, use our three-function valve to prevent syphoning.

## 7. Optional Three Function Valve.

**Anti-siphon** feature allows metering of liquids “down hill” or into the suction side of a circulating pump. It provides protection against an accidental application of suction pressure at the fluid injection point. Its Teflon coated diaphragm provides a positive anti-siphon action.

**Back pressure** function permits metering into atmospheric discharge (open container) without overpumping.

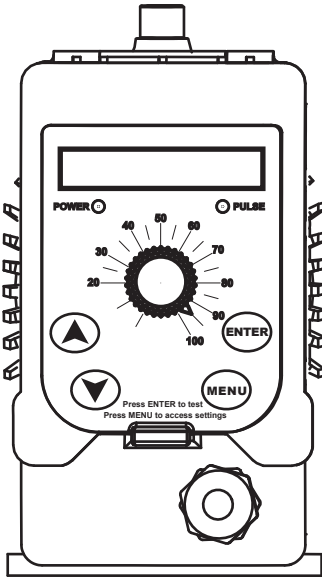
**Line check** permits removal of discharge tubing without release of system fluid.

## 8. Priming/bleed valve connection

Connect the clear poly tubing to the outlet of the bleed or priming valve. Position the free end of this tube in the chemical container. Standard head configurations include a priming valve built into the head. Clear poly tubing should be connected to the outlet of this valve, the other end of the tube should be placed in the chemical container above the fluid level.

## V. Start-Up

### A. Front Panel Description



All Model R pumps come with the following standard panel features:

- 1x16-backlit LCD display
- On/Off power indicator light
- Pulse or Stroke indicator light
- Up and Down arrow keys for setting adjustments
- MENU key to enter and exit pump set-up
- ENTER key to save desired adjustments

### B. Run Mode Explanation

The readout will display one of two modes, Run mode and Set-up mode. Run mode is displayed only while the pump is in normal operation. The display will show the pump speed setting.

Manual activation of the relay output and pump stroking can be activated by pressing the ENTER key while the pump is in the run mode. This will manually activate both functions of the unit for 3 minutes. After three minutes the unit goes back to automatic.

If the ENTER key is pressed during the 3 minute test, it will revert to automatic.

### C. Set Up Mode Explanation

To enter Set-up mode, press MENU. Notice that a cursor appears on the screen signifying that an adjustment can be made. To change the figure above the cursor press the UP or DOWN keys until the desired setting appears, then press ENTER to advance. Continue pressing ENTER to toggle past the other displays. When all settings are made, press MENU to return to run mode, and save settings.

**See Menu Map on Page 12.**



## D. Priming the Pump

### 1. Settings

Plug in pump, set stroke knob to 100%.

### 2. Priming/Bleed valve

If fluid begins moving up suction line while pump is operating, no further priming is required. If fluid is not moving, open bleed valve approximately one turn until fluid begins to move. When suction line fills, close bleed valve. **Do not over tighten bleed valve. Damage may occur.**

### 3. To prime the Advantage R pump simply press the ENTER key while the pump is in Run mode. This allows the pump to stroke at the maximum STROKES/MIN setting.

## E. Stroking Speed or Frequency

The R pump allows for an exact number of strokes to be set and read on the front panel LCD meter. It is adjustable from 0 to 125 strokes per minute (0 to 160 for 55 GPD). In addition, for applications requiring very low outputs the speed can be set in strokes per hour from 1 to 125.

## F. Stroke Length

The stroke length can be adjusted on all MicroTron™ pumps. This adjustment is a mechanical adjustment made using the large knob on the control panel. To avoid damage to the pump, this adjustment should only be made while the pump is running at a high stroking rate.

Always start adjusting your pump's output down by reducing the pump's stroking speed or frequency. By leaving the stroke length as long as possible you decrease any chance of losing prime.

## G. Calculating Output

A pump's output per minute can be determined by dividing the maximum rated gallons per day by 1440 (minutes per day). For example, a 30 gallons per day (gpd) pump at a maximum stroke length and speed setting of 125 strokes per minute (spm) will pump 0.000167 gallons per stroke (gps).

$$30 \div 1440 = 0.0208 \text{ gpm} \div 125 \text{ spm} = 0.000167$$

With this value and the pump's speed setting (strokes per minute) you can calculate your pump's output at it's rated pressure. A 30 gpd pump set at 50 strokes per minute:

$$50\text{spm} \times .000167\text{gps} \times 1440 \text{ (minutes per day)} = 12.02 \text{ gallons per day}$$

Reducing the stroke length will reduce the pump's output again. If the example pump above had it's stroke length reduced to 50% the 12.02 gallons per day output is reduced to 6.01. (example: 12.02 gpd x 0.50 = 6.01 gpd)

A higher product viscosity will reduce the output. Pressures lower than the pump's rating can increase the output.

## H. Calibration

All MicroTron model RP and RO units are factory calibrated. The reading should be verified for accuracy and adjusted as per the instructions listed below.

### One Point Calibration

Units can usually be one point calibrated by leaving the cleaned probe on-line sensing the system water and entering the known system pH or ORP value in the calibration screen.

### pH Two Point Calibration

A two-point calibration allows the user to reset the offset and slope of the pH reading. Occasionally a 2-Point calibration will be required for installations where a one-point calibration is not sufficient or as a probe ages. You should calibrate to the side of pH scale the unit will normally be operating in. For example if the unit is going to be operating in a range of 8 to 9 then use a buffer of 10 pH plus the buffer of 7.

1. **Known pH buffer solutions with pH values of 4 or 10 plus a buffer of 7 are required to perform a 2-point calibration.**
2. **The solution ground lead MUST be in the buffer solution with the pH probe for correct calibration.**
3. **Rinse probe with buffer to be tested before placing probe in the buffer to prevent buffer contamination.**
4. **Allow the probe to set in the known buffer for 30 seconds before calibrating.**

### Centering the ORP

To center the ORP disconnect probe from unit and short across bnc connector. With the input shorted enter YES in the CENTER ORP menu screen.

### Reset Calibration to Factory Default

To return the unit to the original factory calibration defaults cycle power to the unit while pressing in on the "down arrow" key. Once the power has come back on for five seconds release the key and all user defined calibrations will have been removed.

### Warnings:

1. **Do not allow probe to become dry! Damage will occur and a new probe may be needed.**
2. **Probes typically last from 6 to 18 months depending upon installation and care.**

## VI. Control Options

Model RP and RO units have two user selectable controlling methods. The operator can choose between standard on/off control based on a Set Point or Proportional control between two points on the scale. The control function can also be selected to OFF, making the unit strictly a pump with no control function.

Both of these control methods include a high and low alarm setting and a feed limit timer. The high and low alarm settings will activate an alarm relay output provided on most standard units.

### Set Point

Chemical feed will start once the reading reaches the user defined Set Point and the pump will feed at the programmed Speed Stroke frequency. Feed will continue until the reading changes by the amount of the user defined Differential or until the Feed Limit Time has been exceeded. The Set Point can be programmed to react to a Rising or a Falling set point.

### Proportional

The proportional control method allows the pump's stroking speed frequency to increase and decrease between two user defined pH or ORP points. This is programmed by defining a LO reading point on the scale and its associated stroking speed then a HI reading point and its associated stroking speed. For example, the pump could start pumping at a 1 stroke per minute rate at a pH of 6 and proportionally increase its speed to 125 strokes per minute at a pH of 8. The LO pH point can be programmed with a fast stroking rate and the Hi point with a slow rate for feeding caustic.

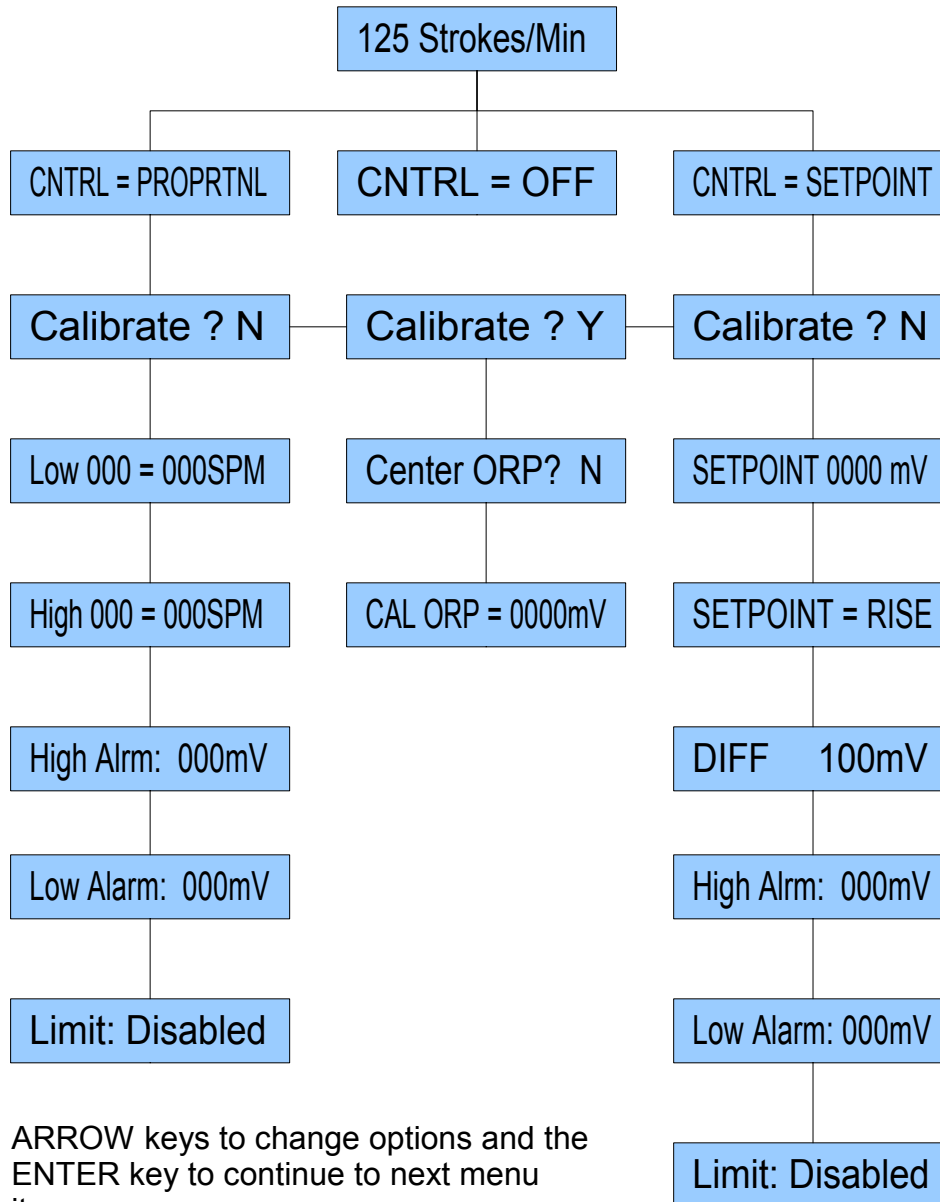
### Limit Timer

Both control methods provide a LIMIT TIMER to prevent overfeeding in case of a non-responsive probe. When feeding starts the LIMIT timer starts counting. If the programmed limit time is reached chemical feed is stopped until the set point is satisfied or the limit timer is reset.

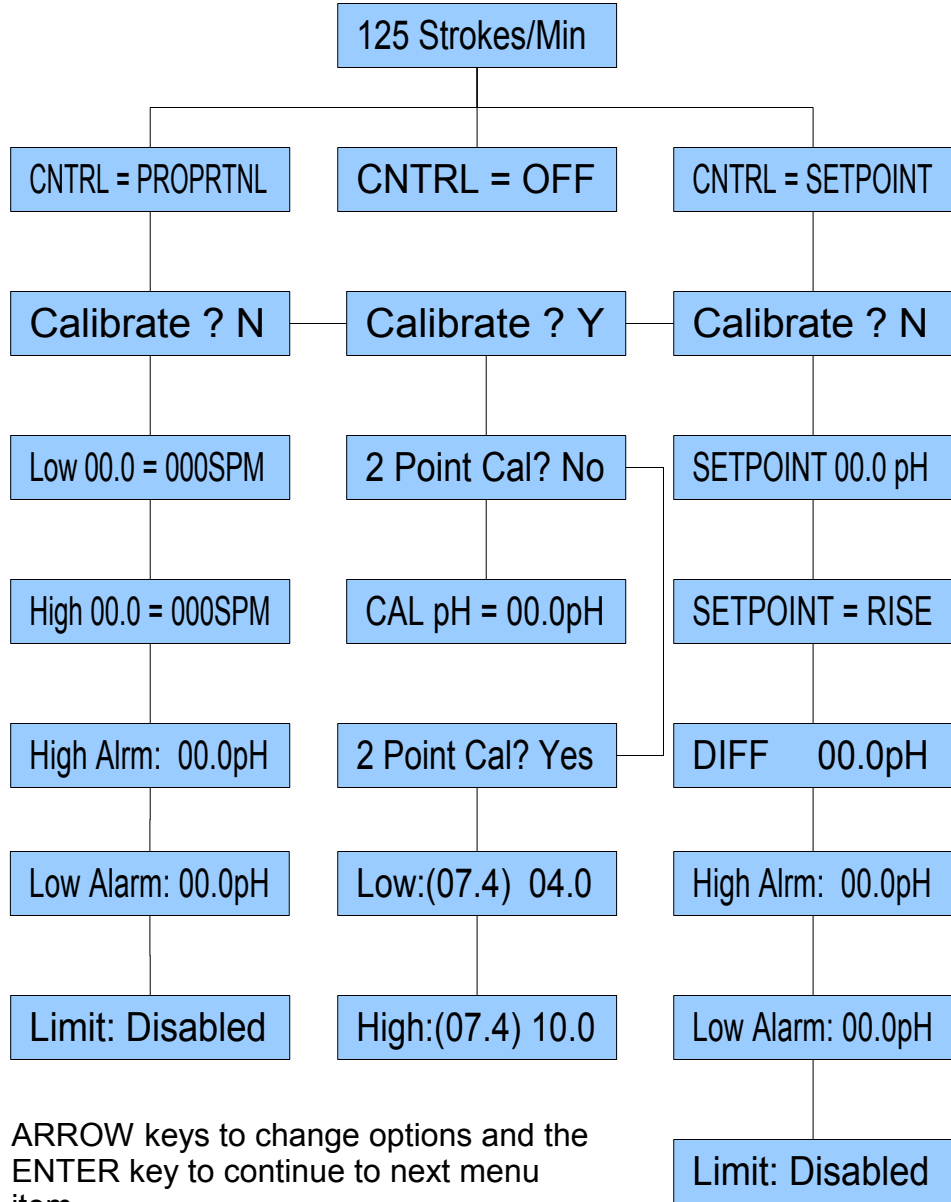
- NOTES:**
1. Setting the Limit Timer to 00 will disable it.
  2. Pressing the ENTER key while the pump is in the RUN mode will reset the limit timer to resume feeding.

## VII. Menu Map

### A. RO Menu Map



**B. RP Menu Map**



**NOTE:** The value display in parenthesis (07.4) in the 2 Point Calibration screen is what the pump thinks the reading is. If the valve is off by more than 2.0 pH probe may be spent.

## VIII. Maintenance

The Advantage MicroTron™ pump is designed for long service life with minimum maintenance. If for any reason, maintenance is necessary or desirable, the MicroTron™ pump is easily maintained.

Before any maintenance or service is performed, observe the following precautions:

1. Disconnect the MicroTron™ pump from power source.
2. Drain chemical from discharge tubing.
3. Disconnect discharge tubing from pump.
4. If the MicroTron™ pump is used in a flooded suction application, remove foot valve from chemical container.
5. Observe relevant safety protocols when handling parts which have been in contact with hazardous chemicals.

### A. Diaphragm Replacement

1. Remove fluid end cover by lightly prying it loose from the fluid end.
2. Remove the four screws attaching the fluid end to pump body.
3. Remove the fluid end from the pump body.
4. Unscrew the diaphragm from the pump shaft in a counter-clockwise direction. Be careful that diaphragm support ring does not fall out.
5. Do not allow sharp or abrasive objects to come in contact with pump parts.
6. Inspect end of shaft to assure that threads are in good condition. Replace shaft bellows if necessary. No further disassembly is recommended.
7. Screw new diaphragm onto pump shaft until it bottoms out on shoulder of shaft. It is not necessary to tighten further.
8. Replace fluid end. Make sure that screws are evenly tightened.
9. Reconnect plumbing and power. Prime the pump.

### B. Suction and Discharge Check Valve Replacement

1. Disconnect suction tubing from pump.
2. Unscrew fitting from pump head.
3. Remove check valve from suction fitting and replace.
4. Remove O-ring from cavity in fluid end.
5. Remove check valve from suction side pump and replace.
6. Install new O-ring in cavity of fluid end.
7. Replace valve fitting with check valve in fluid end.
8. Replace fluid end. Make sure that screws are evenly tightened.
9. Reconnect plumbing and power. Prime the pump.

**NOTES:**

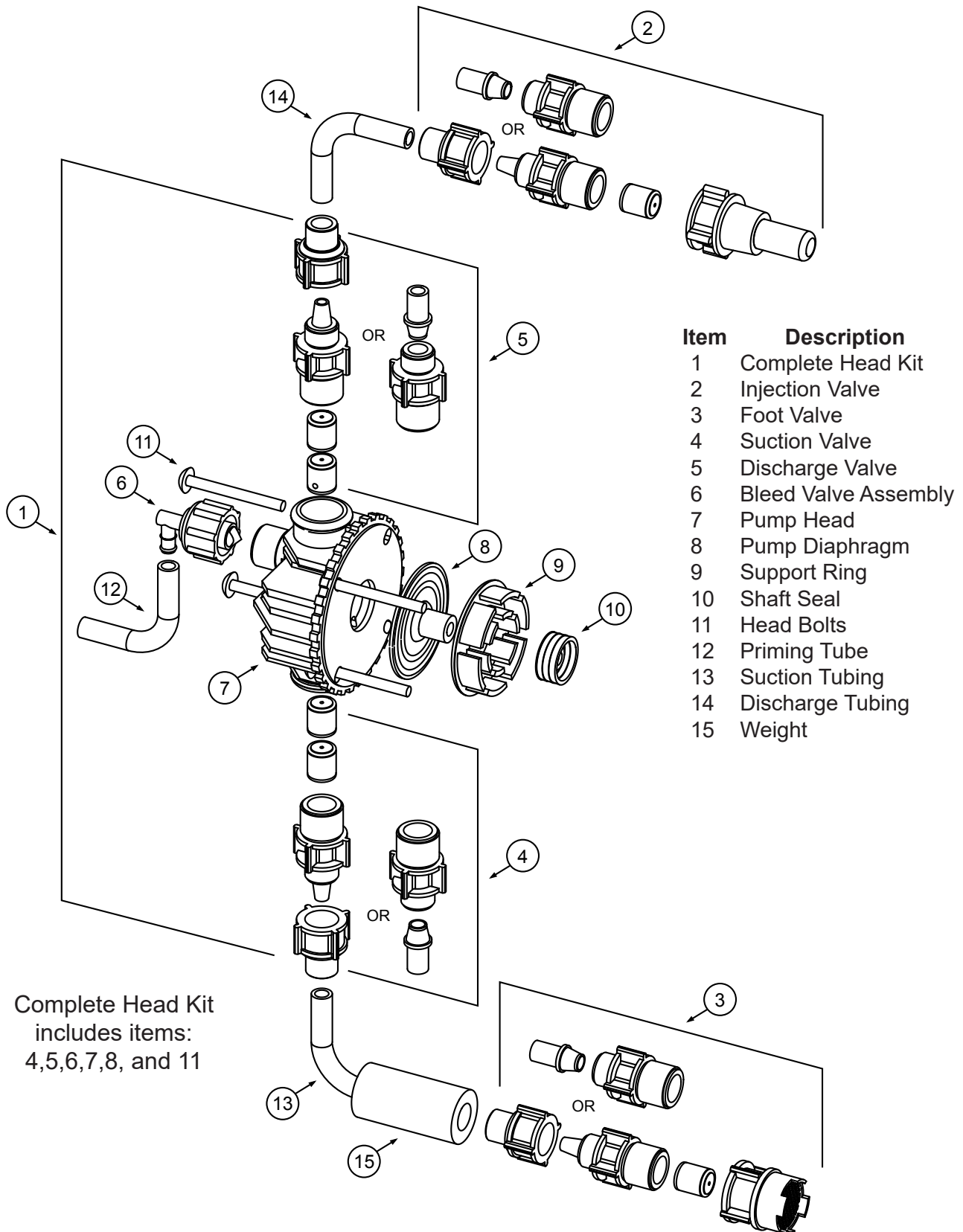
1. **Tighten pump head screws after pump's initial week of operation.**
2. **When installing check valves, remember that the seats are always installed at the bottom.**

### C. Cleaning Probe

1. Remove the electrode from the system by turning counter-clockwise until fully released.
2. Spray with water and/or detergent, using a soft brush to dislodge any particulate matter. (Cold water applied to a hot probe may cause damage.)
3. Visually inspect the electrode for signs of damage.
4. Calibrate the electrode.
5. Re-mount into the system, avoid twisting on the cable.

The pH glass is susceptible to coating by many substances. The speed of response, normally 95% of the reading in less than 10 seconds, is dramatically degraded when the pH glass is coated. Slow response or non-reproducible measurements are signs that the electrode has become coated, clogged or dead. pH probes should be replaced annually under good conditions.

## D. Liquid End Diagram



## E. Replacement Parts

Getting the right materials of construction for your spare parts is easy. Using positions 7-10 of the pump model number, example: RO 30X1-**KFCV**. Find the assembly needed and add the codes of your pump's liquid end after the standard prefix part number for the assembly.

### Part Assemblies

Item	Description	Part Number
1.....	Complete Head Assembly 110 psi.....	<b>CKR-1-</b> _____
.....	Complete Head Assembly 150 & 250 psi.....	<b>CKR-2-</b> _____
2.....	Injection Valve Assembly.....	<b>INJ-</b> _____
Optional.....	3-Function Injection Valve.....	<b>3FV-</b> _____
3.....	Foot Valve Assembly.....	<b>FTV-</b> _____
4.....	Suction Valve Assembly.....	<b>SUC-</b> _____
5.....	Discharge Valve Assembly.....	<b>DIS-</b> _____
6.....	Priming Valve Assembly.....	<b>PRI-</b> _____

#### Body

**K-** Kynar  
**S-** 316 Stainless

#### Seat

**V-** Viton  
**F-** Teflon  
**H-** Hypalon

#### Ball

**C-** Ceramic  
**D-** Single  
**S-** Stainless

#### Connection

**1-** 3/8" Tube  
**2-** 1/4" Tube  
**3-** 3/8" Tube  
**K-** 3/8" Tube  
**P-** 1/4" Pipe  
**U-** 3/8" UV  
**V-** 3/8" Clear Suction

### Single Parts

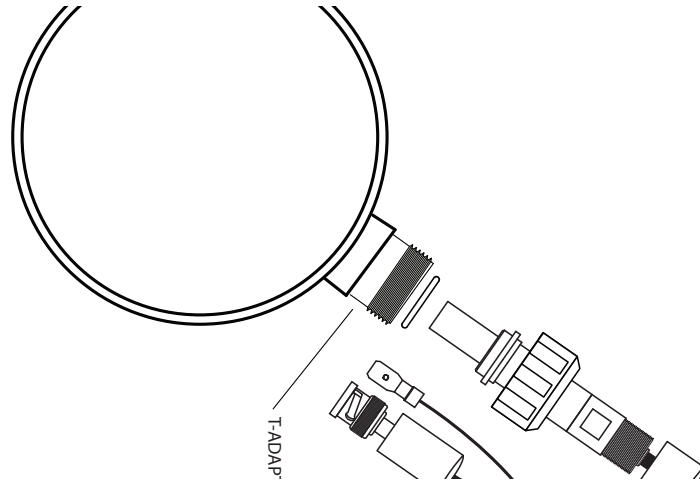
12.....	Priming Tubing.....	<b>R00255</b>
13.....	Suction Tubing 3/8" Clear.....	<b>R00255</b>
.....	Suction Tubing 3/8" PE.....	<b>R00122</b>
.....	Suction Tubing 1/4" PE.....	<b>R00097</b>
14.....	Discharge Tubing 3/8" PE.....	<b>R00122</b>
.....	Discharge Tubing 1/4" PE.....	<b>R00267</b>
15.....	Weight, Suction Tubing.....	<b>R00139</b>



# IX. Diagrams

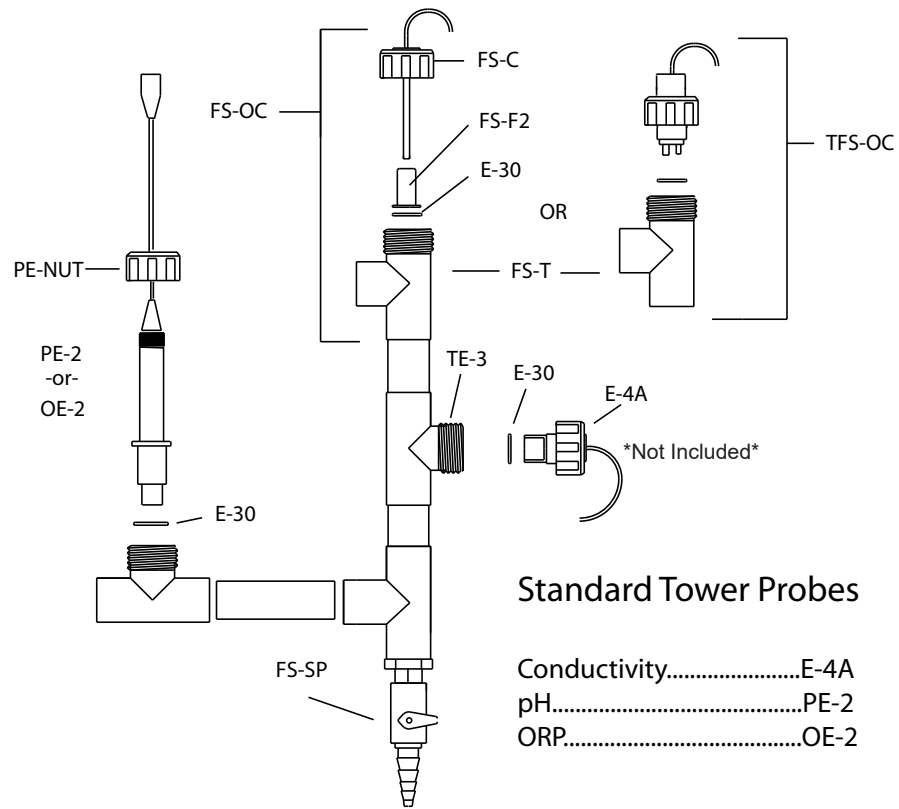
## A. Standard Electrode

the sensor must be completely submerged in water!



החייב להטביל את הסנזור במים!

## B. Optional Flow Switch Assembly



## X. Trouble Shooting

PROBLEM	CAUSE	REMEDY
Pump does not achieve or maintain prime	Air trapped in suction line	Straighten suction line so as to eliminate high spots.
	Foot valve contaminated or improperly installed	Inspect foot valve screen and assure that foot valve is in a vertical position below fluid level.
	Excessive lift	Maximum suction lift is 5 feet with water or fluids of similar specific gravity; less with heavier liquids such as acids. Mount pump in a lower position relative to the chemical container.
	Suction fittings not properly tightened	Check fittings. Overtightening may cause restriction. Conversely, if <b>any</b> leakage occurs, pump will suck air and fail to prime.
	Worn or contaminated check valves	Inspect check valves in fluid end for cleanliness. Clean or replace as necessary.
	Split or pinch in suction tube	Inspect suction tube through its full length to assure that there are no splits at the connections or other restrictions. Move any objects or equipment which impinges upon suction tube or reroute as required to assure a smooth transition from foot valve to pump.
	Low chemical level	Check fluid level in chemical supply tank.
Insufficient fluid	Stroke adjustment set too low	Check operation of stroke limiter knob. If pump delivers too low adjustable rate, check settings. Readjust as required.
	Worn or contaminated check valves	Inspect, clean or replace as necessary.
	Obstruction in suction line	Check suction line for obstructions, clogging, kinks or pinch points.
	Clogged foot valve screen	Clean or replace foot valve screen.
	Output (system) pressure too high	Relocate the injector to a lower pressure part of the the system.
	Diaphragm worn or torn	Replace diaphragm, making sure that it is screwed on fully to shoulder of shaft.
	Electronic failure	Consult dealer or factory.

Excessive fluid	Failure or lack of antisiphon valve	Inspect or add anti-siphon valve. This is caused when system is in a vacuum condition or valve in delivery applications with flooded suction which feeds systems at very low pressures.
	Excessive stroke rate	Lower the stroke rate if adjustable on your pump.
	Improper stroke length	Reduce stroke length.
Pump will not pump	System pressure too high	Check system pressure to assure that it is within system rated parameters of the pressure.
	Diaphragm improperly installed	Make sure that diaphragm is screwed fully onto shaft.
	Check valves worn or clogged	Clean or replace as required.
Pump will not run not plugged in	Pump not turned on or not plugged in	Check outlet with meter to assure that correct or voltage is present and that power supply cord is in good condition and plugged in.
	Electronic failure	Consult dealer or factory.
Excessive noise	Pump not primed	Prime pump.
	No output pressure	Add an anti-siphon valve to provide 25 PSI restriction on pump discharge.
False Reading	Bad or dirty electrode Out of calibration	Clean, as needed Calibrate unit
Will not calibrate	Dirty electrode Faulty electrode Faulty wiring Out of calibration	Clean electrode Replace controller or electrode as needed Calibrate unit

## **XI. Manufacturer's Product Warranty**

Advantage Controls warrants units of its manufacture to be free of defects in material or workmanship. Liability under this policy extends for 24 months from date of installation. Liability is limited to repair or replacement of any failed equipment or part proven defective in material or workmanship upon manufacturer's examination. Removal and installation costs are not included under this warranty. Manufacturer's liability shall never exceed the selling price of equipment or part in question.

Advantage disclaims all liability for damage caused by its products by improper installation, maintenance, use or attempts to operate products beyond their intended functionality, intentionally or otherwise, or any unauthorized repair. Advantage is not responsible for damages, injuries or expense incurred through the use of its products.

The above warranty is in lieu of other warranties, either expressed or implied. No agent of ours is authorized to provide any warranty other than the above.

### **30 Day Billing Memo Policy**

Advantage Controls maintains a unique factory exchange program to ensure uninterrupted service with minimum downtime. If your unit malfunctions, call 1-800-743-7431, and provide our technician with Model and Serial Number information. If we are unable to diagnose and solve your problem over the phone, a fully warranted replacement unit will be shipped, usually within 48 hours, on a 30 Day Billing Memo.

This service requires a purchase order and the replacement unit is billed to your regular account for payment.

The replacement unit will be billed at current list price for that model less any applicable resale discount. Upon return of your old unit, credit will be issued to your account if the unit is in warranty. If the unit is out of warranty or the damage not covered, a partial credit will be applied based upon a prorated replacement price schedule dependent on the age of the unit. Any exchange covers only the controller or pump. Electrodes, liquid end components and other external accessories are not included.







# Get the Advantage in Water Treatment Equipment

Advantage Controls can give you the *Advantage* in products, knowledge and support on all of your water treatment equipment needs.

- Cooling Tower Controllers
- Boiler Blow Down Controllers
- Blow Down Valve Packages
- Solenoid Valves
- Water Meters
- Chemical Metering Pumps
- Corrosion Coupon Racks
- Chemical Solution Tanks
- Solid Feed Systems
- Feed Timers
- Filter Equipment
- Glycol Feed Systems
- Pre Fabricated Systems

