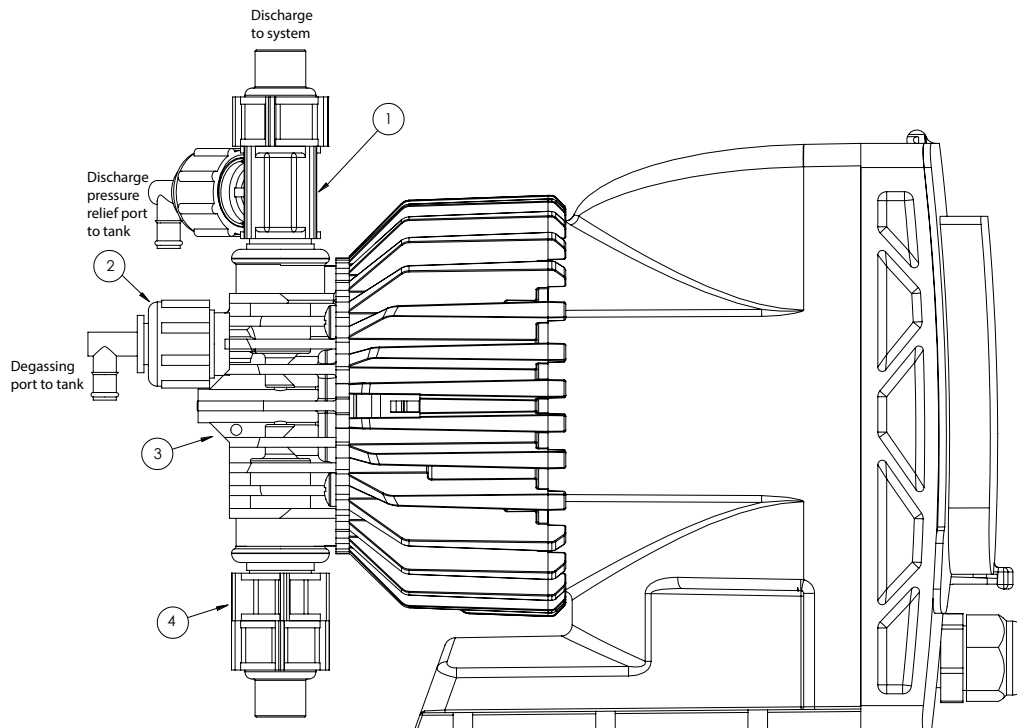


## How to use the Advantage Controls Auto-Degassing Pump Head:

1. Use proper Personal Protection Equipment (PPE) and take proper safety precautions when handling chemicals.
2. Ensure a return line to the tank has been connected to the pressure relief discharge valve.
3. Ensure a return line to the tank has been connected to the degassing valve in the center of the pump head.
4. Apply power to the pump and wait for the pump to push fluid without air bubbles through the discharge return line to the tank.
5. You should not have to make any changes to the degassing valve. Ensure the valve is completely closed hand tight. Do not use tools.
6. To drain the line, loosen the pressure discharge relief valve and allow pressure to return to the tank.



### Part Assemblies

Item	Description	Part Number
1.....	Pressure Relief/Discharge Valve .....	<b>PRDIS-K</b> _ _ _
2.....	Degassing Valve Assembly.....	<b>DEGAS-KF</b> _ _ _
3.....	Complete Head Assembly (75 & 110 psi).....	<b>CKR-1-D</b> _ _ _
	Complete Head Assembly (150 & 250 psi).....	<b>CKR-2-D</b> _ _ _
4.....	Suction Valve Assembly.....	<b>SUC-K</b> _ _ _

#### Seat

V- Viton  
F- Teflon  
H- Hypalon

#### Ball

C- Ceramic  
D- Single  
S- Stainless

#### Connection

1- 3/8" Tube  
2- 1/4" Tube  
P- 1/4" MNPT  
R- 1/4" FNPT