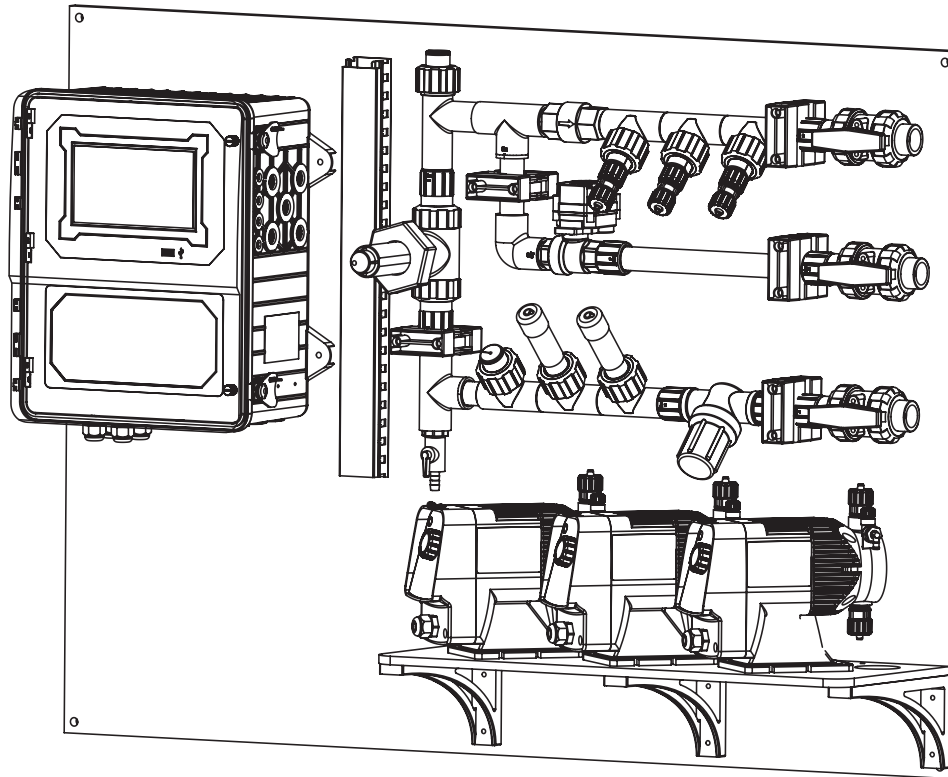


Wall Mounts



Key Features

- Simplify Installation
- Convenient Configuration
- Complete Sample Stream
- Customize to Your System
- Corrosion Resistant Panel
- Saves Time and Money
- Professional Appearance

Application

Advantage Controls' full size wall mount panels simplify the installation of water treatment equipment. Saving time, money and giving it a high quality professional appearance.

Panels include 1 to 4 sample streams with isolation valves, line strainer, back check and sample valve.

Units come ready to operate with your separately ordered controller, pumps and bleed valve(s) installed and pre-wired. Advantage Controls also has the flexibility to fabricate customized systems to meet your specific needs.

Wall Mounts

Start with code for number of plumbing loops and panel material desired, WM21. Then select options A-J for each loop with a - between loops. If additional loops are the same, use a -X2, X3 or X4. After all loops are built, list whole unit options: WM21-AB3D3FJ-X2-P. Multiple loop panels are provided in separate sections. Additional notes below.

WM _____

Number of Plumbing Loops _____
 1, 2, 3, 4 on 3/8" HD White Poly Panel 21, 22, 23, 24 on 1/2" HD Blue Poly Panel

Loop Material with valves, strainer, back check and sample (*no strainer & check) _____
A = 3/4" PVC **A0** = no loop **A1** = 1" PVC
A2 = 3/4" Black iron **A3** = 3/4" Copper **A4** = 1" Black iron*
A6 = 3/4" brass valves on PVC loop **A7** = 3/4" SS valves on PVC loop

Injection Tees _____
 3/4" PVC 1" PVC 1" CPVC 3/4" Black Iron 1" Iron
B1 = 1 tee, **B2** = 2 tees, **B11, B12,** **B21, B22,** **B31, B32,** **B41, B42,**
B3 = 3 tees, **B4** = 4 tees... **B13, B14...** **B23, B24...** **B33, B34...** **B43, B44...**

Probe Tees Total number of tees not counting flow tee _____
 (Only needed if different than controller ordered)
 3/4" PVC Quick Release 1" PVC Quick Release 1" Black Iron
C1 = 1 tee, **C2** = 2 tees, **C21, C22,** **C41, C42,**
C3 = 3 tees, **C4** = 4 tees **C23, C24** **C43, C44**

Pump Mounting Shelf (Add a "1" after number for blank shelf) _____
D1 = Shelf for 1 **D2** = Shelf for 2 **D3** = Shelf for 3 **D4** = Shelf for 4...

Strainer Options (3/4" basket strainer included as standard) _____
E = 3/4" Flushable Y **E2** = 3/4" 10" Filter Housing **E4** = 1" Basket Strainer
E5 = 3/4" Black Iron Strainer **E6** = 1" Clear Basket

Flow Indicator 1-10 gpm _____
F = 3/4" 100PSI **F2** = 3/4" 145PSI **F3** = 3/4" 100PSI with flow switch

Corrosion Coupons (Add "L" to get clear PVC over coupon) _____
 3/4" PVC 1" PVC 3/4" Black Iron
G2 = 2 Stations **G12** = 2 Stations **G22** = 2 Stations
G4 = 4 Stations **G14** = 4 Stations **G24** = 4 Stations

Solid Feeder (Order SFS separately / D1 or D2 available with H1 / no D option with H2) _____
H1 = For a SFS-?01 **H2** = For 2 SFS-?01's **H3** = For 3 SFS-?01's

J = Bleed off leg (Order bleed valve separate) w/ shut-off valve **J1** = Adds 3/4" water meter

Loop Direction (Standard is in and out on the right) _____
K = In/Out Left **K1** = Left to Right **K2** = In/Out Bottom **K3** = In/Out Top **K4** = Right to Left

Corrosion Sensor Tees 90° _____
M1 = 1 PVC 3/4", **M2** = 2 PVC 3/4" **M11** = 1 PVC 1", **M12** = 2 PVC 1" **M21** = 1 Iron 1", **M22** = 2 Iron 1"

Controller Mount Area (Only needed if ordered without a controller) _____
N = MegaTron XS **N1** = MegaTron
N4 = MICROtron **N5** = NanoTron

Whole Pre-Fab Options _____

R = Mounting rails (required w/ H's) **S** = Electrical junction box **T** = Weather shield 37" wide max
W = Free standing leg kit **Y** = Non ACI equip to be supplied **X** = Circulation pump (4 GPM)

Dimensions **WM1** - 38.5" W x 30" H **WM2** - 70" W x 30" H **WM3** - 70" W x 48" H **WM4** - 70" W x 48" H

- Notes:** 1. Loops with more than 3 pump shelves are wider. Panel with H-option is 48"H. G2 is 36"H.
 2. Controller, pumps, bleed valves and SFS's are ordered separately.
 3. Sizes are estimates as various options will change final dimensions.

Get the Advantage



4700 Harold Abitz Dr
 Muskogee, OK 74403
 918-686-6211 phone
 888-686-6212 fax
 www.advantagecontrols.com