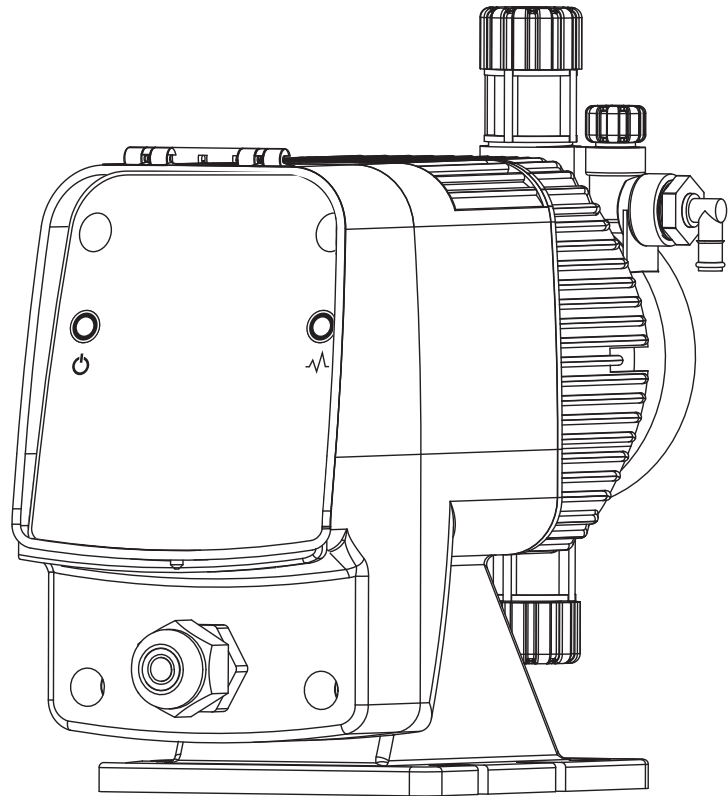


# MicroLinx Series N

Electronic Metering Pump

***Digitally  
Accurate  
Speed  
Adjustment***



## Key Features

- NEMA 4X Style Enclosure
- Guided Double Ball Checks
- Circuit Voltage Protection
- Thermal Overload Protection
- Priming / Degassing Valve
- LED Indicating Lights
- Wi-Fi Linx Output Adjustment
- 2-Year Warranty

## Application

MicroLinx Series N pumps provide a reliable, affordable product addition for a wide variety of applications.

Precise metering is achieved with guided double ball checks, including foot and injection assemblies.

Wi-Fi stroke speed adjustable from 0-12,000 strokes per hour provides a wide turn down capability of outputs up to 45 GPD and 300 PSI.

# Build a Model

Model N\_\_\_\_\_ - \_\_\_\_\_

Build your model number by selecting one code from each step. Example: N30X1-KFC1

## Step 1.... Output (Maximum)

- 05 = 5 GPD (18.9 LPD) at 300 PSI (20.6 bar)
- 12 = 12 GPD (45.4 LPD) at 250 PSI (17.2 bar)
- 15 = 15 GPD (56.7 LPD) at 150 PSI (10.3 bar)
- 30 = 30 GPD (113.5 LPD) at 100 PSI (6.8 bar)
- 45 = 45 GPD (170.3 LPD) at 75 PSI (5.1 bar)

## Step 2.... Control Options

- X = Standard Control
- E = External Auto-Stop

## Step 3 .... Voltage

- 1 = 120 VAC, USA plug and agency approvals
- 2 = 120-220 VAC, no plug

## Step 4 ... Head & Fittings, Seat & Ball

- KFC = Kynar, Teflon, ceramic
- KHC = Kynar, hypalon, ceramic
- KVC = Kynar, viton, ceramic
- DVC = Kynar (degassing), viton, ceramic
- SFSP = Stainless, Teflon, stainless, 1/4" MNPT

### Notes:

1. Degassing heads are only available on 150, 100, and 75 PSI models.
2. S-head option only comes with Teflon seat and SS ball, and does not include a foot or injection valve or any tubing.

## Step 5 .... Connections (PVDF only)

- 1 = 3/8" tubing rated to 200 PSI (13.7 bar)
- 2 = 1/4" tubing rated to 300 PSI (20.6 bar)
- 4 = 1/4" black UV tubing rated to 300 PSI (20.6 bar)
- R = 1/4" FNPT
- U = 3/8" black UV tubing rated to 200 PSI (13.7 bar)
- V = 3/8" tubing rated to 200 PSI (13.7 bar), clear suction

**Note:** Tubing selection may impact pump rating.

For other options, see Price List or consult factory.

# Accessories

PVDF models include everything for start-up: injection, foot and priming valve assemblies, plus suction, discharge, and prime tubing.

Visit [www.advantagecontrols.com](http://www.advantagecontrols.com) for a full listing of additional accessories including: mounting brackets, solution tanks, pump enclosures, timers, and more.

# Specifications

## Electrical

- Input - 110 VAC or 240 VAC @ 50/60 Hz

## Operational Speed

- Stroke length adjustment: 0-12,000 strokes/hr.

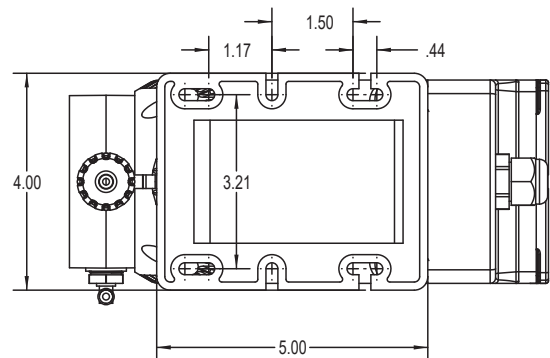
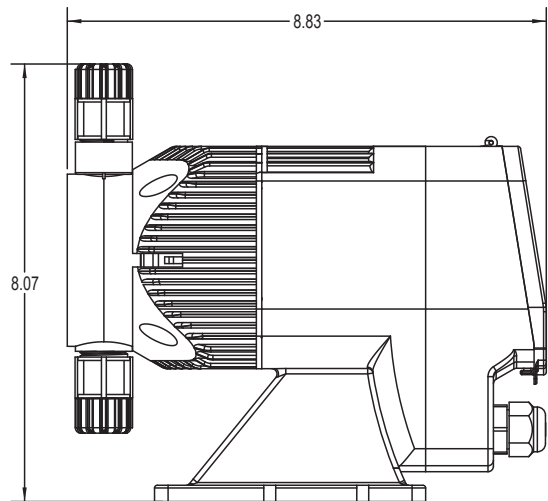
## Enclosure

Heavy duty NEMA 4X style high impact thermoplastic with clear lexan cover.

## Environment

- Max temperature 122°F (50°C)
- Relative humidity 0 to 85%

**Shipping Weight:** Approx. 10 lbs. (4.536 kg)



Kynar Head Shown

**Get the Advantage**



4700 Harold-Abitz Dr  
Muskogee, OK 74403  
800-743-7431 Phone  
888-686-6212 Fax  
[www.advantagecontrols.com](http://www.advantagecontrols.com)