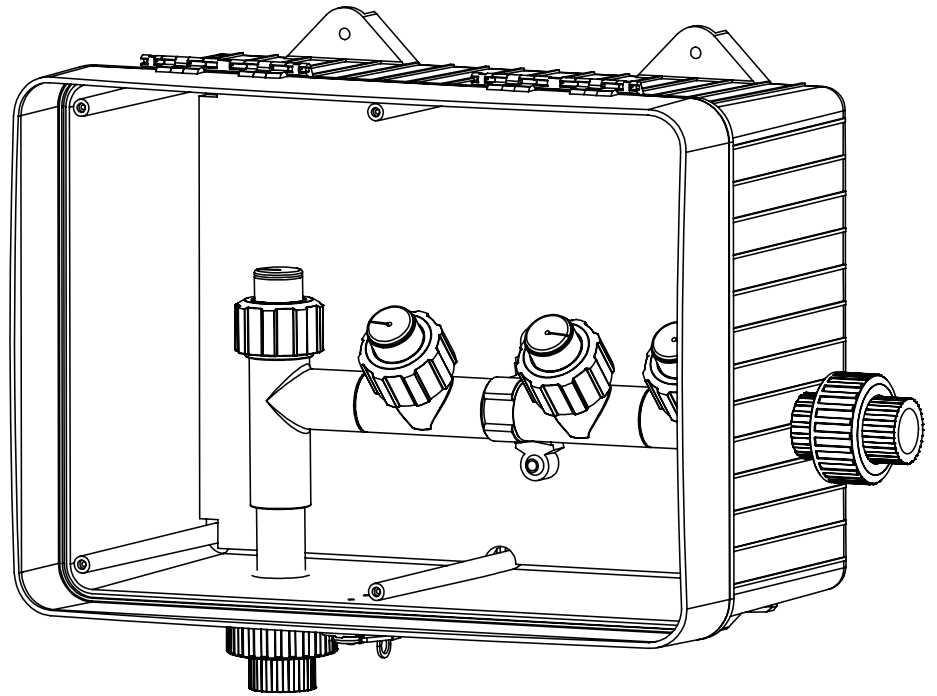


FLOW-BOX

Plastic Enclosure for Sample Loops



Key Features

- Rugged ABS construction
- Clear or black cover
- Added weather protection
- Lockable cover
- Prevents tampering

Application

The FLOW-BOX protects outside sensor and bleed valve installations in a compact, rugged ABS plastic enclosure with $\frac{3}{4}$ " PVC plumbing with options for bleed valves, brass isolation valves, and more.

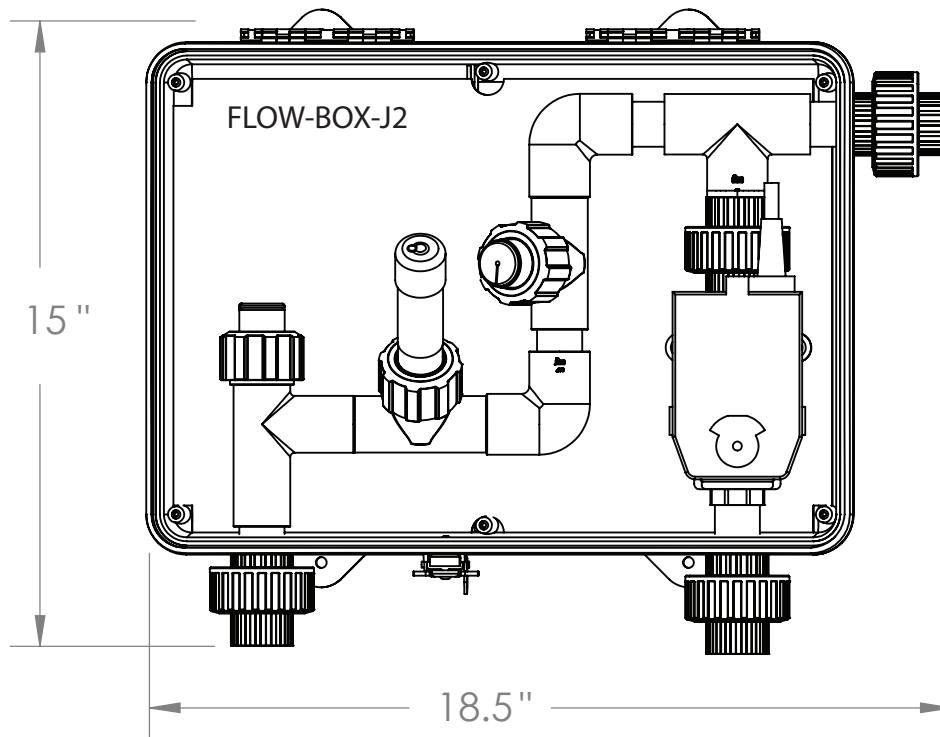
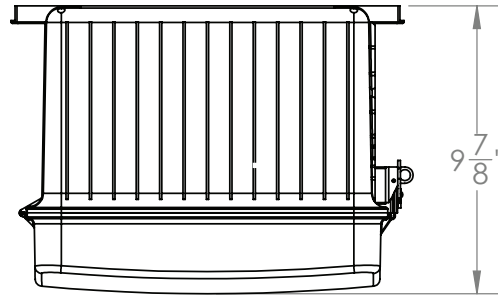
The NEMA-4X style enclosure has a clear or black hinged lid, lockable stainless steel latch, liquid tight knock-outs, and external mounting feet.

Build a Model

The model number starts with FLOW-BOX which includes 3 quick release $\frac{3}{4}$ " PVC probe tees, flow switch tee and external unions. Additional options can be added.
Example: FLOW-BOX-J2V3

Options

- B** = Black cover
- J** = Two probe tees and bleed leg with union, no bleed valve
- J1** = Two probe tees and bleed leg with ABC-3/4J1 and unions
- J2** = Two probe tees and bleed leg with ABV-3/4P and unions
- K** = Right-to-left plumbing
- S** = $\frac{3}{4}$ " slip sample tee, shipped loose
- Q** = Back check, $\frac{3}{4}$ " FNPT poly, loose
- V2** = Two $\frac{3}{4}$ " brass isolation valves and pipe nipples, shipped loose
- V3** = Three $\frac{3}{4}$ " brass isolation valves and pipe nipples, shipped loose



Get the Advantage

02/2022



4700 Harold-Abitz Dr
Muskogee, OK 74403
800-743-7431 Phone
888-686-6212 Fax
www.advantagecontrols.com