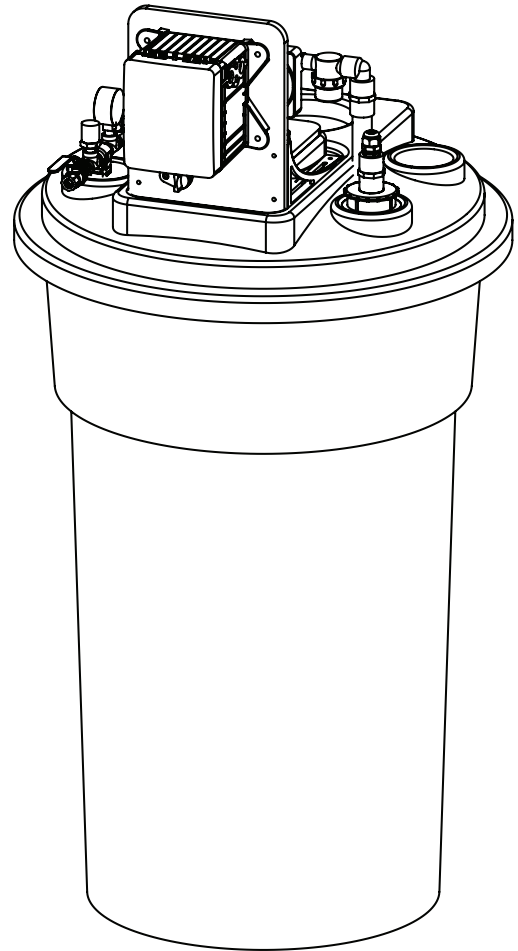


Digital Economy Glycol Feeder

EGFD-55

For Closed Loop Systems



Key Features

- Digital PSI Display
- 0-70 PSI Feed Pump
- Keypad Programming
- 55 Gallon Tank
- Low level shut-off
- ETL approved
- Alarm Buzzer and Output
- 4-20 mA Output of PSI

Application

Advantage Controls EGFD glycol feeders maintain a consistent pressure in closed loop systems automatically feeding based on a pressure drop.

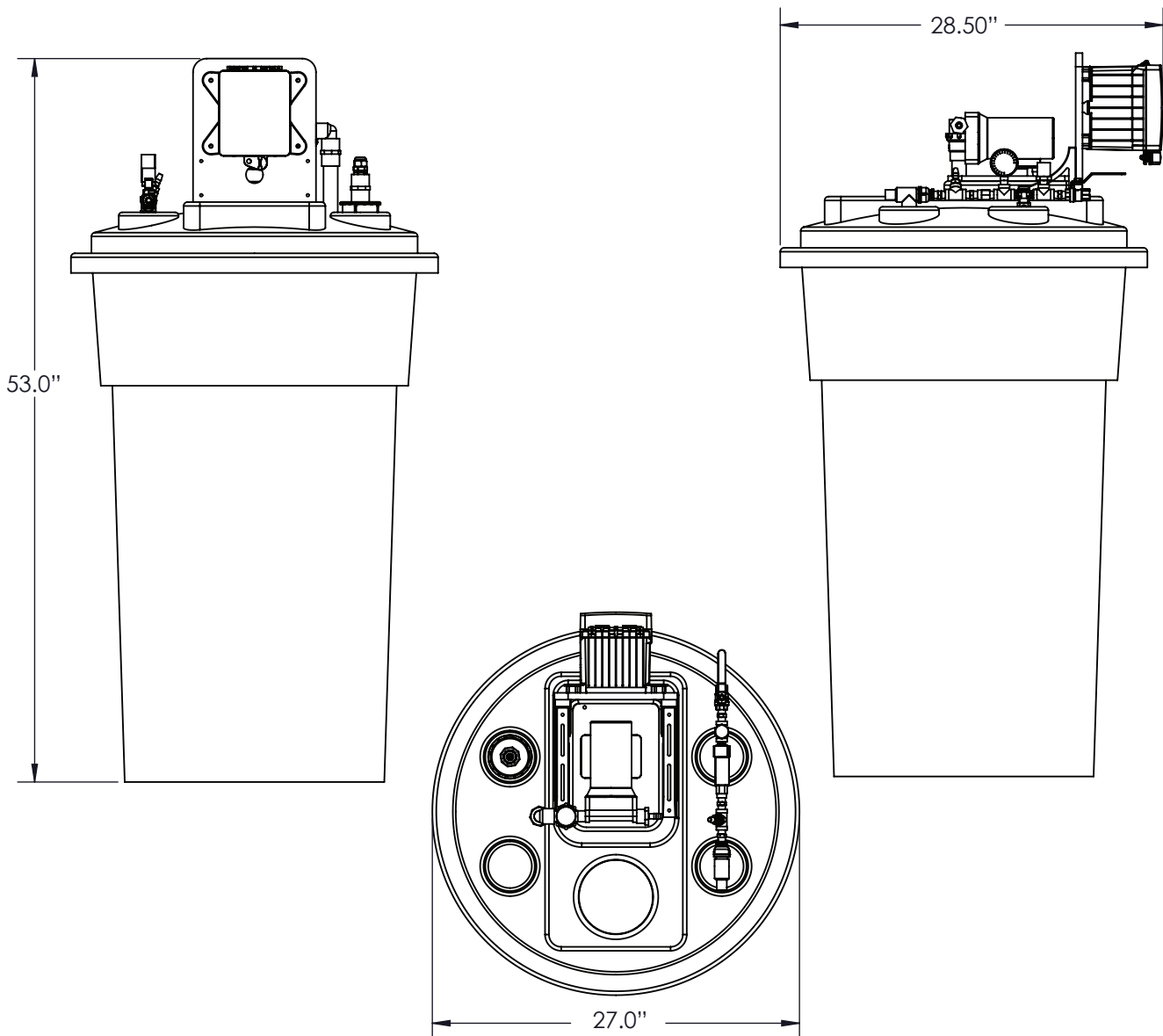
Digitally displays the actual pressure of the loop and has a user settable control point for pump activation.

The feeder is constructed on a polyethylene tank with lid mounted feed pump, prewired controller, low level cut-o, audible alarm, and pre-plumbed brass piping assembly with pressure gauge, back check, pressure transducer, and relief valve.

Model EGFD-55 Specifications

Tank size	55 gal / 208.1 liters
Pump Type/Size	Diaphragm booster
Max pump gpm	2 gpm / 7.57 lpm
Maximum pump pressure	70 psi / 4.82 bar
Pump head material	Plastic
Pump voltage	120 vac
Pump watts	173
Plumbing size	1/4"
Plumbing gauge	0-100 psi
Plumbing material	Brass / SS
Pressure transducer	0-100 psi

Back check	Yes
Adjustable Relief Valve	Yes
Level float and cut-off	Yes
Controller voltage	120 vac
Controller enclosure	Thermoplastic / 4x style
Pre-wired	Yes
Audible alarm buzzer	Yes
Digital Pressure Readout	Yes
Alarm dry contact output	Yes
4-20mA output of pressure	Yes
Shipping weight	60 lbs



Get the Advantage



4700 Harold-Abitz Dr
 Muskogee, OK 74403
 918-686-6211 Phone
 888-686-6212 Fax
www.advantagecontrols.com