

DCT Tanks

Double Wall Containment Tanks



Key Features

- Industrial-Grade Polyethylene
- Convenient Pump Mount
- Removable Lid
- Accessory-Mount Areas
- Large Refill Opening
- Inner-Stackable Design
- Lower Shipping Cost
- Optional Accessories

Application

Advantage Controls' DCT series of double-wall containment solution tanks provide an environmentally-friendly system for stationary liquid containment.

DCT tanks have a large, heavy-duty lid that includes a multiple metering pump mounting area with spill containment, a large fill opening, and four tank accessory mounting points for optional mixers, level sensors, and quick fill connection.

Advantage Control's DCT tanks also give you the advantage of lower shipping cost--the removable lid allows multiple tanks of the same size to be inner-stacked. Once on site, simply put the inner tank inside the outer tank and snap on the lid.

Models

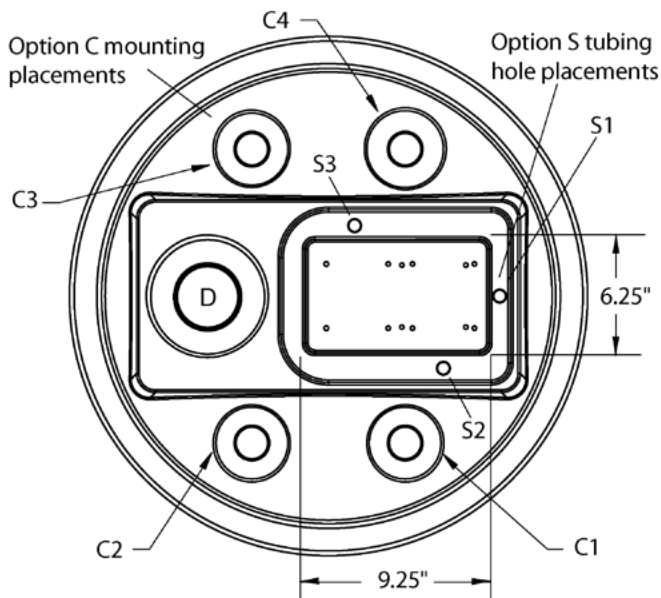
- DCT-30** 34-gallon inner tank with a 40-gallon containment tank.
- DCT-55** 58-gallon inner tank with a 70-gallon containment tank.

Options

- C** 2" FNPT lid accessory mounting points
D 5" pop-out plug for pouring in through lid
F 3/4" PPL fill connection installed in lid
F1 1" PPL fill connection installed in lid
L Level indicator-SST
M Flange mount 1/15 HP mixer
M1 Bung mount 1/15 HP mixer
P Non Advantage Controls pump mount adapter
R Rigid suction tube
S Suction tube holes predrilled for Advantage pumps
U Assembled and individually boxed
W Level wand with float switch

NOTE: When ordering C and/or S, just list the letter once, followed by each hole placement number desired.
 Example: C134. Suction holes are 1.125"

Lid Details



Specifications

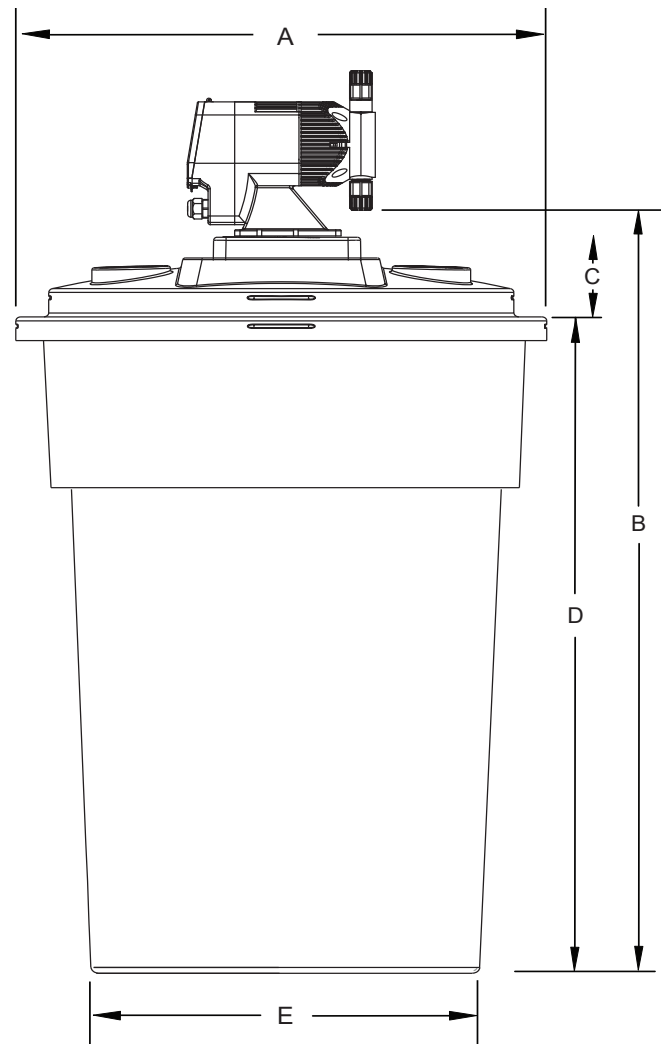
Material of Construction

All tanks are made of UV-stabilized linear polyethylene with an average wall thickness of 1/8 inch.

Shipping Weight

DCT-30.....	35 lbs.
DCT-55.....	45 lbs.

Dimensions	A	B	C	D	E
DCT-30	23.7"	32.8"	3.0"	30.0"	19.2"
DCT-55	27.3"	44.3"	5.2"	39.0"	22.0"



Get the Advantage



4700 Harold-Abitz Dr
 Muskogee, OK 74403
 800-743-7431 Phone
 888-686-6212 Fax
www.advantagecontrols.com