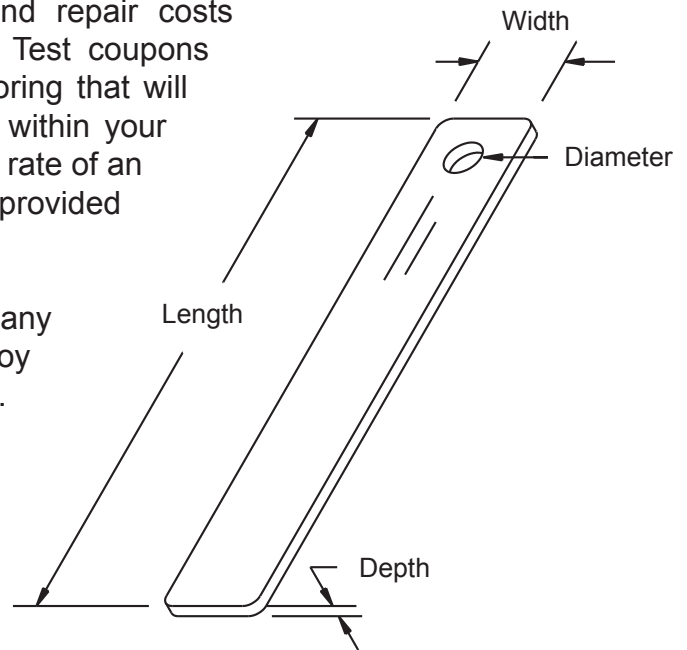



Corrosion Coupons

Accurate monitoring of corrosion rates in any environment is critical when viewed in terms of the maintenance and repair costs associated with corrosion and material failure. Test coupons provide an inexpensive means of on-line monitoring that will allow you to effectively measure the corrosivity within your system. By observing the mils-per-year corrosion rate of an exposed coupon, valuable information can be provided regarding the material's life expectancy.

Advantage Controls can provide coupons in any material you need. Coupons are stenciled with alloy and sequence numbers for proper identification. Mill test reports, identifying element compositions of materials used, are provided on all orders. The following coupons are the most commonly used in corrosion testing.



Coupons

P/N	Description	Size (W x L x D)	Hole	Hole Loc.
AMS	Mild Steel	1/2" x 3" x 1/16"	3/16"	1/4" from end
ACO	Copper	1/2" x 3" x 1/16"	3/16"	1/4" from end
AS3	303 Stainless Steel	1/2" x 3" x 1/16"	3/16"	1/4" from end
AS4	304 Stainless Steel	1/2" x 3" x 1/16"	3/16"	1/4" from end
AS5	316 Stainless Steel	1/2" x 3" x 1/16"	3/16"	1/4" from end
ANK	Nickel	1/2" x 3" x 1/16"	3/16"	1/4" from end
ABR	Brass	1/2" x 3" x 1/16"	3/16"	1/4" from end
ABZ	Bronze	1/2" x 3" x 1/16"	3/16"	1/4" from end
ABA	Aluminum	1/2" x 3" x 1/16"	3/16"	1/4" from end
AGS	Galvanized Steel	1/2" x 3" x 1/16"	3/16"	1/4" from end
ASC-5	316 Stainless Steel (Scale) 	1/2" x 3" x 1/16"	1/4"	1/4" from end

Additional mounting options available. Consult dealer for more information.

Corrosion Testing, Why?

Corrosion tests are conducted for a number of reasons, some of which are:

1. To provide an insight into corrosion mechanisms.
2. To compare resistance of one alloy to another under standard conditions (in alloy development work for example).
3. As a quality control test for a given heat of alloy.
4. To provide a basis for estimating service life of process equipment.



The discussion which follows relates primarily to reason # 4, although the same principles apply in tests conducted for other reasons.

Type of Tests

Data of value in estimating the probable servicelife of a piece of process equipment can be generated in a number of ways.

1. Operating Experience - The most reliable information is generated by actual operating experience with equipment in identical service. In a sense the equipment is being used as a large, complex, expensive coupon. This is a costly and slow testing method, especially when data on several materials is needed.
2. Model Equipment - Model equipment installed parallel with actual equipment or in a small scale (pilot plant) operation can generate information almost as reliable as full scale equipment. Care must be exercised to assure that important variables are adequately simulated.
3. Coupons - Field - Coupons exposed in operating equipment are widely used. Care must be taken to install the coupons so that they are exposed to the corrosive conditions of interest.
4. Coupons - Laboratory - Coupons exposed to laboratory solutions from plant operations, or less reliable synthetic solutions which approximate the chemistry of plant streams, generate useful information if the tests are properly designed and conducted. Such tests allow study of the affect of changes in process chemistry on corrosion.
5. Instrumental Test Methods - Advanced methods, including electrical resistance and linear polarization scans, are valuable additions to corrosion testing methods. They can generate a continuous record of corrosion rate. They also can be used to gain insight into corrosion mechanisms. The precautions noted with regard to coupon tests also apply with these methods.

Coupon Mounting

Coupons should be mounted in such a way that they are securely held and are electrically isolated from contact with all other metals (except when the purpose of the test is to study galvanic corrosion). Mounting materials (brackets, bolts, etc.) and insulating materials should be selected to be fully resistant to the environment. Failure of any of these components will lead to loss of data or loss of electrical isolation.

Time of Test

In general, coupon tests should be run for a minimum of 1 week. In many cases, it will be worthwhile and desirable to evaluate the effect of time of exposure which can be done by means of a controlled interval test.

Advantages of Coupon Testing

Coupon tests are low in cost, simple to conduct, and allow the simultaneous evaluation of numerous materials and variations of a single material. Alloy chemistry variations and metallurgical variations (ie., the effect of heat treatment, microstructure, welding and stress) can be considered. Coupon tests are easily adapted to evaluate specific types of corrosion, such as crevice corrosion and galvanic corrosion.

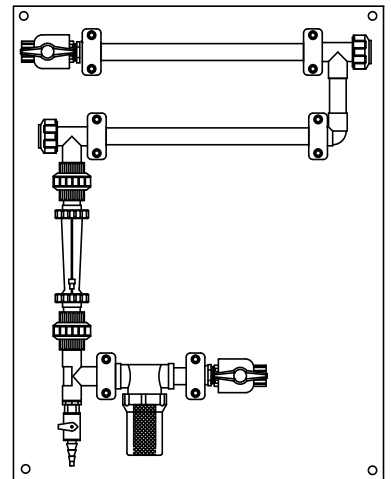
Corrosion Coupon Racks With Quick Disconnect Holder

- Corrosion Resistant
- Polyethylene Panel Mount
- PVC, CPVC Black Iron or Stainless Steel
- Up to Six Coupon Holders
- Inlet & Outlet Ball Valves

Our revolutionary "Quick Disconnect" coupon holder design with o-ring seal requires no wrenches for removing the coupon. Simple hand loosen and tighten.

All standard models include the coupon holder(s), nylon coupon mounting hardware, inlet and outlet ball valves mounted on a corrosion resistant polyethylene panel for a professional installation appearance.

Ask about our corrosion coupon racks to streamline your installation and testing.



Get the Advantage