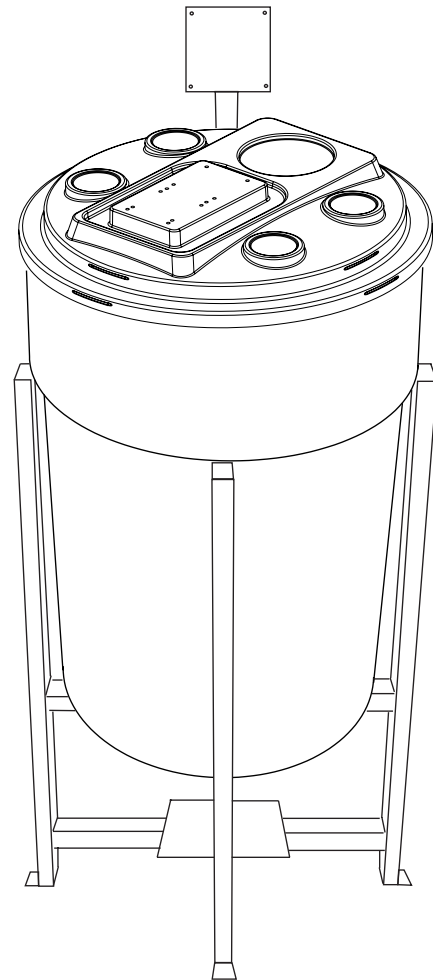


Model APT

Tank Stand Packages



Key Features

- Industrial Polyethylene Tank
- Large Steel Frame
- Removable Lid
- Accessory Mount Areas
- Large Refill Opening
- Convenient Pump Mount
- Optional Accessories

Application

Advantage Controls' APT polyethylene tank stand packages provide a rugged pre-packaged chemical feed tank assembly that you can customize to your specifications.

The standard assembly includes a welded steel frame with mounting base for pump(s). Option features include mixer or controller mounting bracket, pump suction line assembly and water inlet plumbing.

Pick from our wide selection of pumps, mixers and controllers to complete your chemical feed package.

Model Numbering

Build your own tank stand package from the options below. If you are not ordering an agitator or any accessories your model number can stop after the pump mounting selection. Example: APT-50-1P

Model Number

APT- - - - -

Tank Size

- 30 = 34 gallon polyethylene tank with cover
- 50 = 55 gallon polyethylene tank with cover
- 70 = 70 gallon polyethylene tank with cover
- 100 = 100 gallon polyethylene tank with cover

Piping Assembly

- 1 = One pump piping assembly with bulkhead and shut-off
- 2 = Two pump piping assemblies with bulkhead and shut-off
- 3 = One pump piping assembly with bulkhead with 1" riser
- B = Bulkhead fitting only with pump shelf
- X = No piping

Pump Mounting

- P = Indicates specified pumps to be premounted
- X = No pumps mounted

Mixer Mounting

- A = Indicates specified mixer to be mounted
- B = 1/15 HP bung mount mixer
- X = No Agitator

Accessories

- B = Mounting bracket for mixer (Needed if option A selected under Mixer Mounting)
- C = Indicates specified controller to be mounted
- D = 5" pop out plug in lid
- E = Add for 2" bung fittings and plugs to lid
- F = 3/4" PPL fill connection in lid
- R = Rigid suction wand
- S = Make-up water solenoid; PVC plumbing 1/2"
- V = Make-up water plumbing with gate valve 1/2"

Notes: (1) With no agitator or any accessories, model number can stop after the pump mounting selection.
 (2) The mixer mounting bracket option is not needed if a small 1/15 hp flange mixer is being used.

Specifications

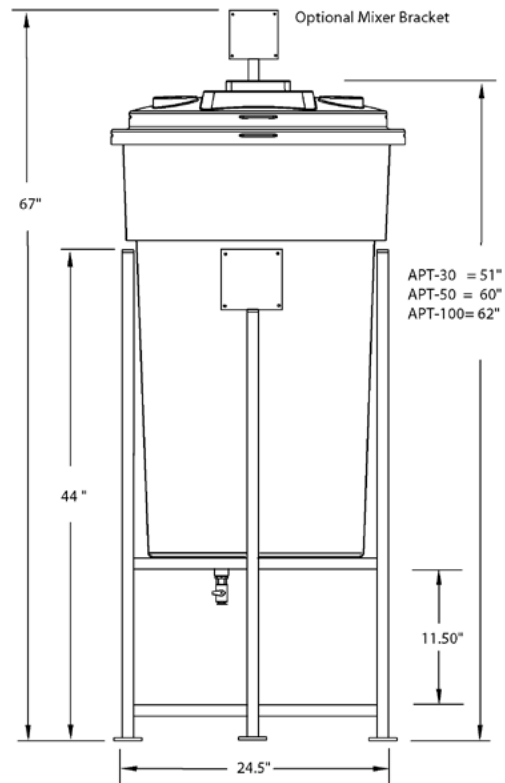
Material of Construction

All tanks are made of UV stabilized linear polyethylene with an average wall thickness of 1/6 inch. Stands are made of 1.25" square painted steel tubing.

Shipping Weight

- APT-30.....70 lbs
- APT-50.....80 lbs
- APT-70.....85 lbs

Note: Dimensions shown are for the APT-50 and APT-70. The APT-30's mixer mounting bracket will be shorter. APT-100's stand width is 30".



Get the Advantage



4700 Harold-Abitz Dr
 Muskogee, OK 74403
 800-743-7431 Phone
 888-686-6212 Fax
www.advantagecontrols.com