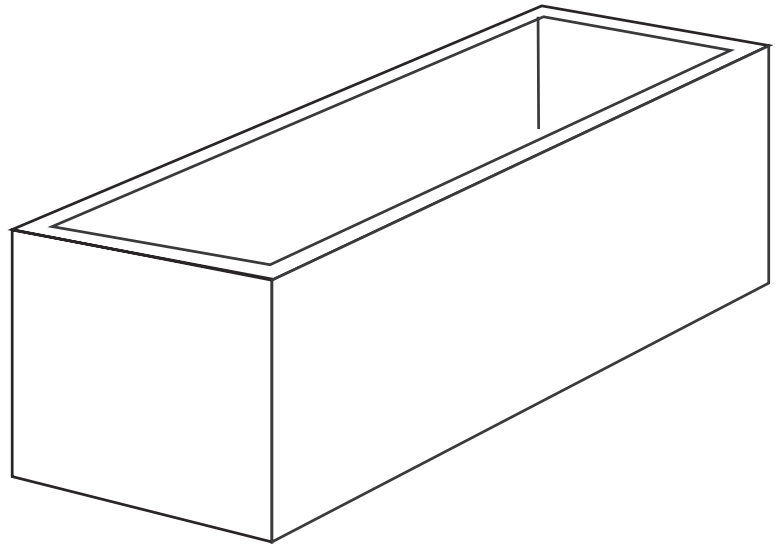


ACT Tanks

Open Top Rectangle Containment Tanks



Key Features

- Industrial Grade Polyethylene
- Easy Placement
- Space Saving Sizes
- Open Top Design
- Lower Shipping Cost
- Optional Accessories

Application

Advantage Controls' ACT series of open top containment solution tanks provide a customer friendly system for stationary liquid containment.

ACT tanks open top rectangle design are a space saving option for containing smaller prepackaged solution tanks. Made from industrial grade polyethylene the ACT tanks cover a wide range of chemicals safely.

Advantage Control's ACT tanks are a safe low cost solution for secondary chemical containment to meet today's environmentally friendly storage concerns.

Models

ACT-25 20 gallon tank.
ACT-27 27 gallon tank.

Options

B 1/2" FNPT bulkhead fitting for drain

Specifications

Material of Construction

All tanks are made of UV stabilized linear polyethylene with an average wall thickness of 1/6 inch.

Shipping Weight

ACT-25 15 lbs
ACT-27 15 lbs

Dimensions

	Length	Width	Height
ACT-25	39.0"	15.0"	12.0"
ACT-27	24.0"	24.0"	12.0"

Get the Advantage