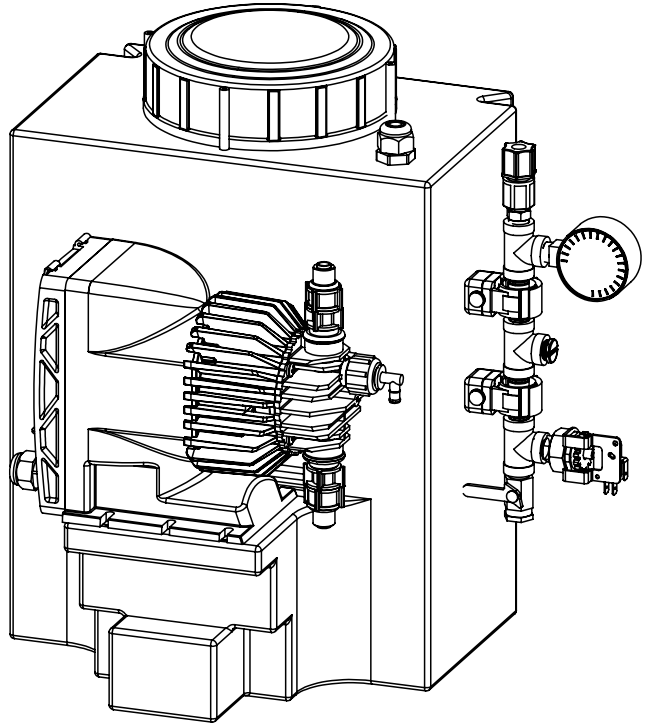


# Economy Glycol Feeder

## *Installation Maintenance Repair Manual*



Advantage Controls  
4700 Harold-Abitz Dr.  
Muskogee, OK 74403  
Phone: 800-743-7431  
Fax: 888-686-6212  
[www.advantagecontrols.com](http://www.advantagecontrols.com)  
email: [support@advantagecontrols.com](mailto:support@advantagecontrols.com)

01/2021

# Table of Contents

Contents	Page
I. Introduction.....	3
II. Model Numbering and General Specifications .....	3
III. Installation .....	3
IV. Start up.....	3
V. Measurements.....	4
VI. Parts List.....	5
VII. Warranty & 30 Day Billing Memo Policy .....	6

## I. Introduction

The Advantage EGF is designed to maintain glycol levels in small closed systems. The system is comprised of a wall mountable tank with attached plumbing including pressure switch, gauge, back check valve and isolation valve, a 30 gpd at 100 psi positive displacement metering pump. Please read this instruction manual to become familiar with your system.

## II. Model Numbering and General Specifications

### BUILD A MODEL

EGF - \_\_\_ - \_\_\_

### TANK SELECTION

- 05 = 5 gal tank with 30 gpd @ 100 PSI pump
- 10 = 10 gal tank with 30 gpd @ 100 PSI pump

### OPTIONS

- A2 = 240 volt, no plug
- B = 15 gpd @ 150 PSI pump
- C = Red pumping housing (instead of green)
- C1 = Blue pump housing (instead of green)
- P = High pressure switch 20-120 PSI

## III. Installation

1. Locate the unit on a wall with easy access to the closed loop, and VAC power.
2. Pipe the 1/4" plumbing connection to the closed loop in such a manner that the pressure switch will see system pressure from the closed loop.
3. Fill the solution tank.

## IV. Start Up

With the solution tank full and all the plumbing connections complete:

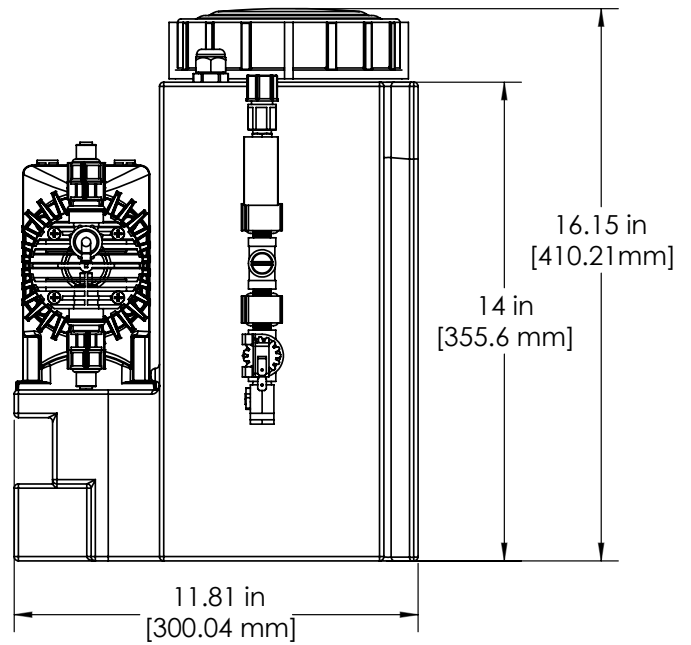
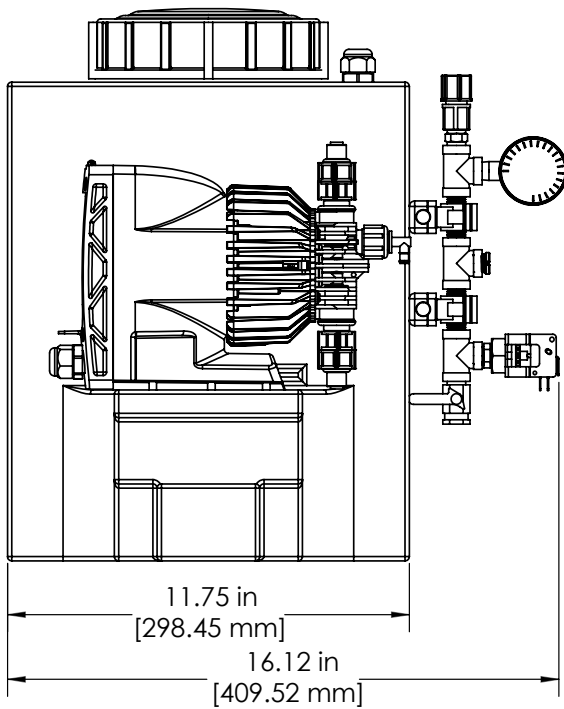
1. Close the isolation valve to the system.
2. Observe the pressure gauge, it should read zero.
3. Plug the pump into a 120 VAC source.
4. The pump should start, and the pressure gauge reading will increase to the preset level on the pressure switch.
5. Adjust the pressure switch to achieve your desired cut in pressure. The plate on the front of the switch shows the adjustment range in psi. Turning the black wheel will raise or lower the point at which the switch contact changes states. Clockwise to increase – counterclockwise to decrease.



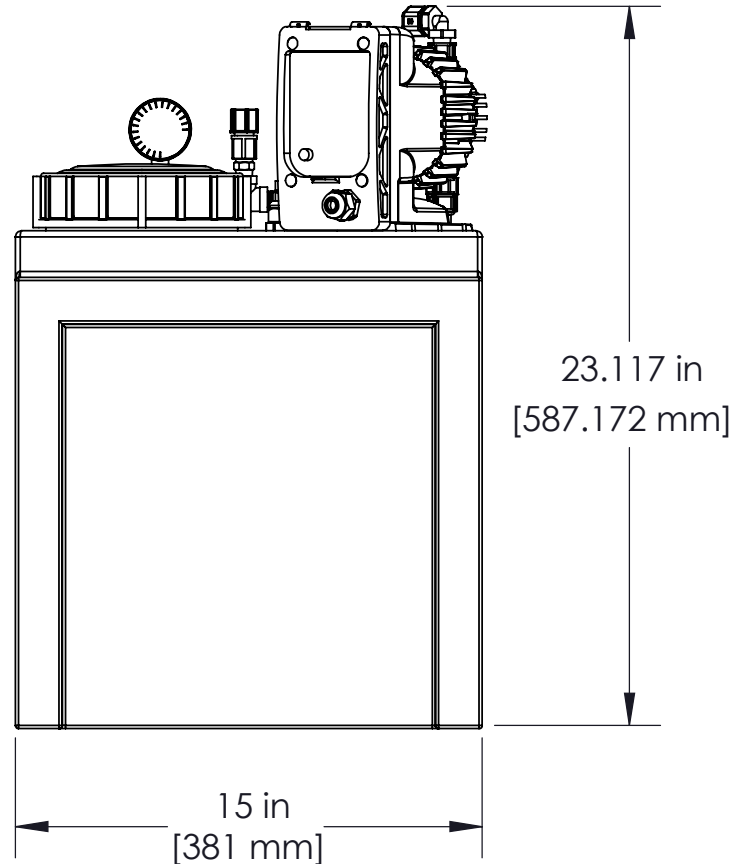
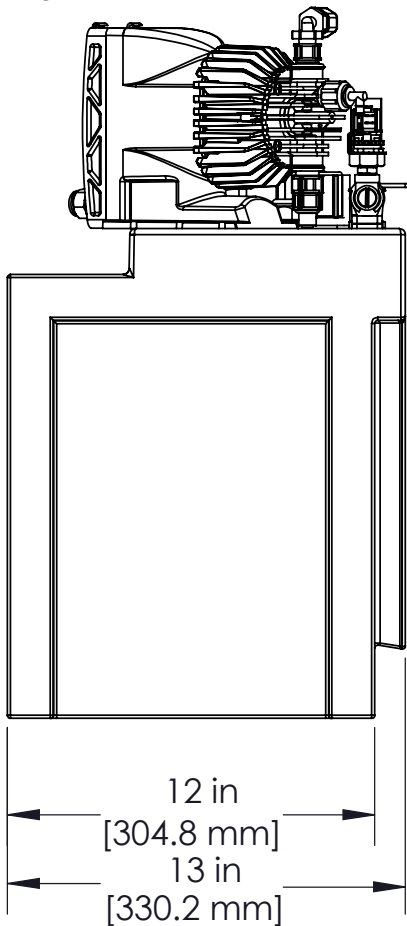
**Warning: Do not adjust the switch close to either edge of the adjustment range, as this may cause the switch to malfunction. The pressure switch has a built-in differential of 10-20% of the setting.**

## V. Measurements

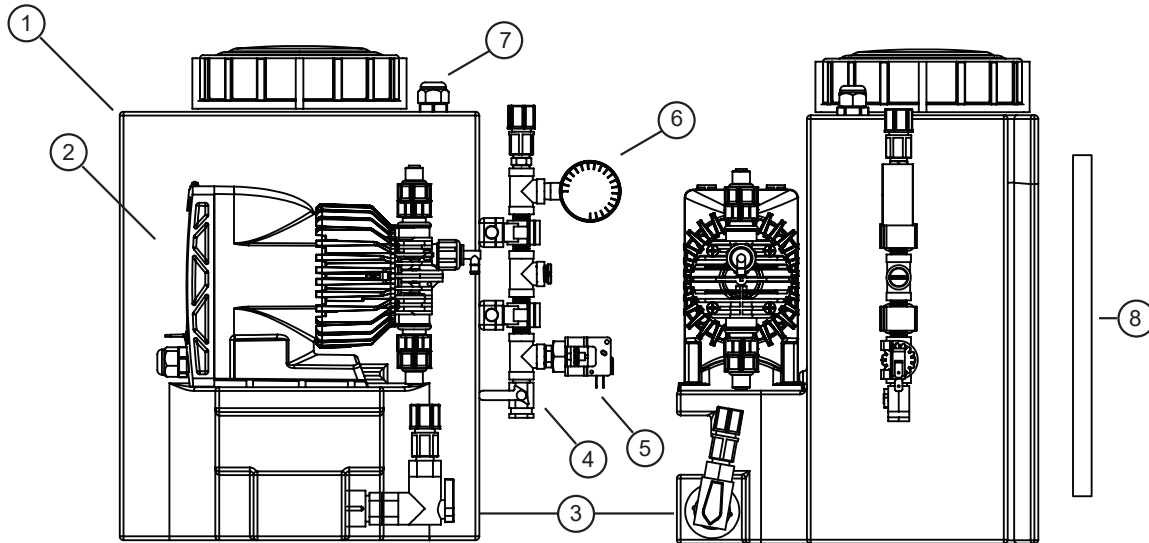
5 gal. Model



10 gal. Model



## VI. Parts List



### Parts

- |                 |                              |
|-----------------|------------------------------|
| 1. EGF-TANK-05  | Tank for 5 gallon models     |
| EGF-TANK-10     | Tank for 10 gallon models    |
| 2. EGF-PUMP-15  | 15 gpd @ 150 psi pump        |
| EGF-PUMP-30     | 30 gpd @ 100 psi pump        |
| 3. SFS-SUCTION  | Outlet pump suction assembly |
| 4. SFS-BV       | Brass inlet ball valve       |
| 5. EGF-SWITCH30 | 6-30 psi pressure switch     |
| EGF-SWITCH120   | 20-120 psi pressure switch   |
| 6. SFS-PG       | 0-100 psi gauge              |
| 7. EGF-LF-1     | Low level switch             |
| 8. R00223       | SS wall bracket for EGF-05   |
| R00339          | SS wall bracket for EGF-10   |

## **VII. Manufacturer's Product Warranty**

Advantage Controls warrants units of its manufacture to be free of defects in material or workmanship. Liability under this policy extends for 24 months from date of installation. Liability is limited to repair or replacement of any failed equipment or part proven defective in material or workmanship upon manufacturer's examination. Removal and installation costs are not included under this warranty. Manufacturer's liability shall never exceed the selling price of equipment or part in question.

Advantage disclaims all liability for damage caused by its products by improper installation, maintenance, use or attempts to operate products beyond their intended functionality, intentionally or otherwise, or any unauthorized repair. Advantage is not responsible for damages, injuries or expense incurred through the use of its products.

The above warranty is in lieu of other warranties, either expressed or implied. No agent of ours is authorized to provide any warranty other than the above.

### **30 Day Billing Memo Policy**

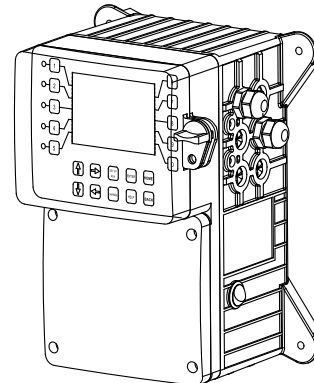
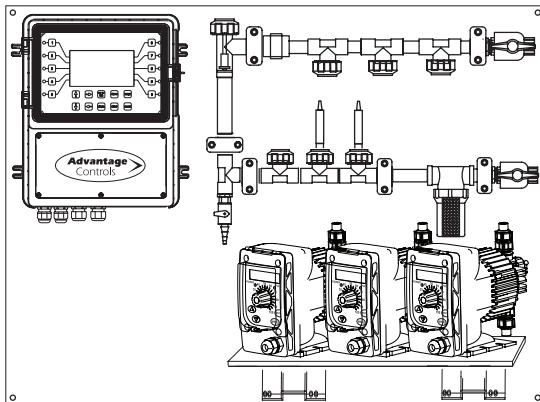
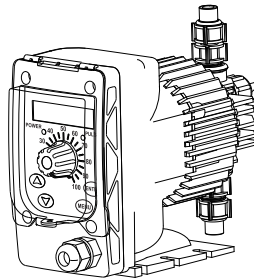
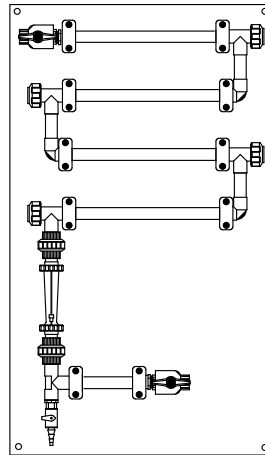
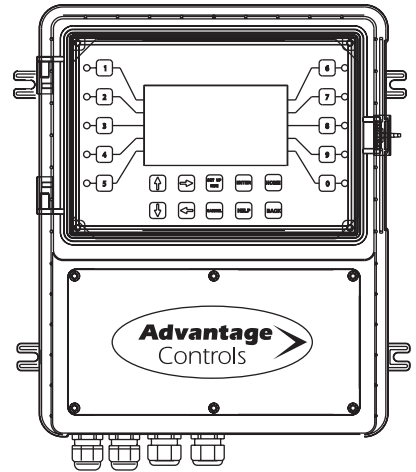
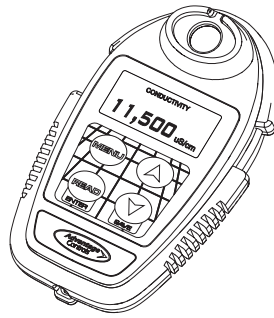
Advantage Controls maintains a unique factory exchange program to ensure uninterrupted service with minimum downtime. If your unit malfunctions, call 1-800-743-7431, and provide our technician with Model and Serial Number information. If we are unable to diagnose and solve your problem over the phone, a fully warranted replacement unit will be shipped, usually within 48 hours, on a 30 Day Billing Memo. This service requires a purchase order and the replacement unit is billed to your regular account for payment.

The replacement unit will be billed at current list price for that model less any applicable resale discount. Upon return of your old unit, credit will be issued to your account if the unit is in warranty. If the unit is out of warranty or the damage not covered, a partial credit will be applied based upon a prorated replacement price schedule dependent on the age of the unit. Any exchange covers only the controller or pump. Electrodes, liquid end components and other external accessories are not included.

# Get the Advantage in Water Treatment Equipment

Advantage Controls can give you the *Advantage* in products, knowledge and support on all of your water treatment equipment needs.

- Cooling Tower Controllers
- Boiler Blow Down Controllers
- Blow Down Valve Packages
- Solenoid Valves
- Water Meters
- Chemical Metering Pumps
- Corrosion Coupon Racks
- Chemical Solution Tanks
- Solid Feed Systems
- Feed Timers
- Filter Equipment
- Glycol Feed Systems
- Pre Fabricated Systems



Get the Advantage



