

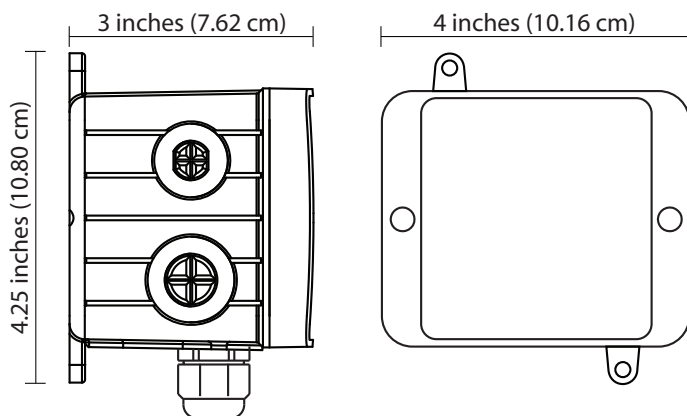
PSDC-24

Power Supply for 4-20mA Sensors



Specifications

- 100-240 VAC to 24 VDC power supply



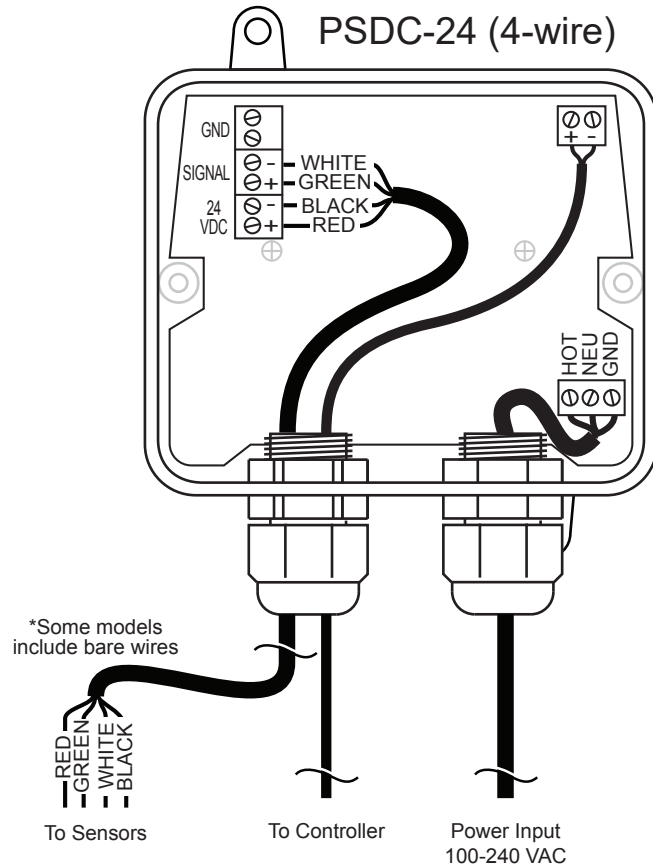
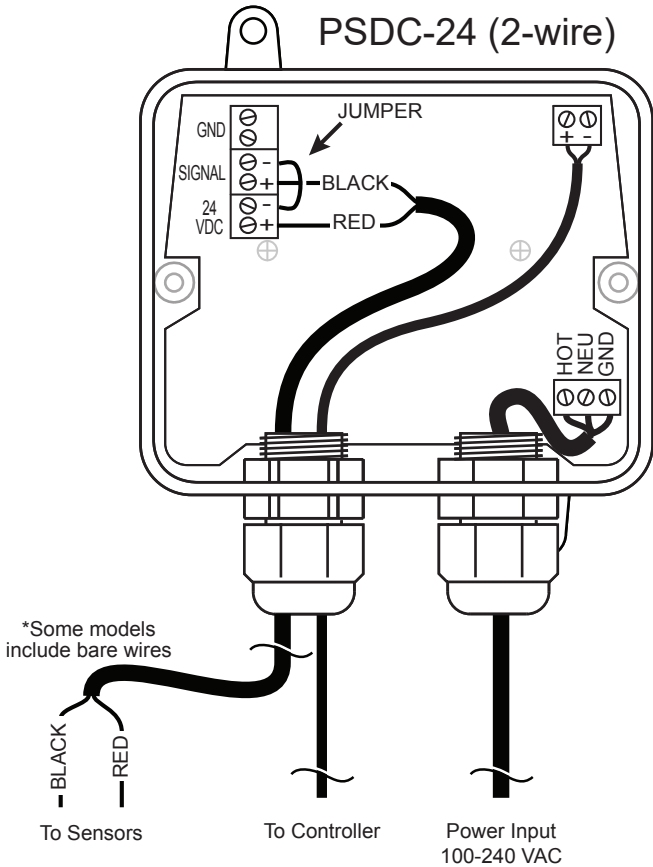
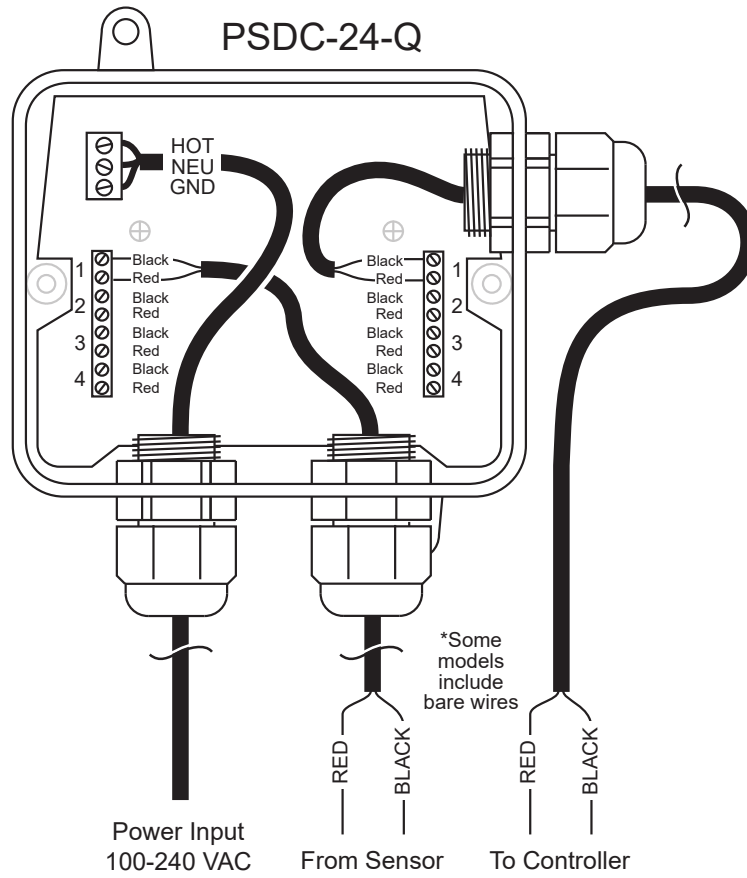
Application

The PSDC-24 power supplies convert 100-240 VAC to 24 VDC power for powering low voltage DC powered devices and sensors.

The PSDC-24 can have one to four 4-20mA two-wire sensors connected to it for powering the sensor and mA signal to an external device like a MegaTron style controller.

See reverse side for wire instructions of the PSDC-24 and PSDC-24-Q.

Wiring Instructions



Get the Advantage



4700 Harold Abitz Dr
 Muskogee, OK 74403
 800-743-7431 phone
 888-686-6212 fax
www.advantagecontrols.com