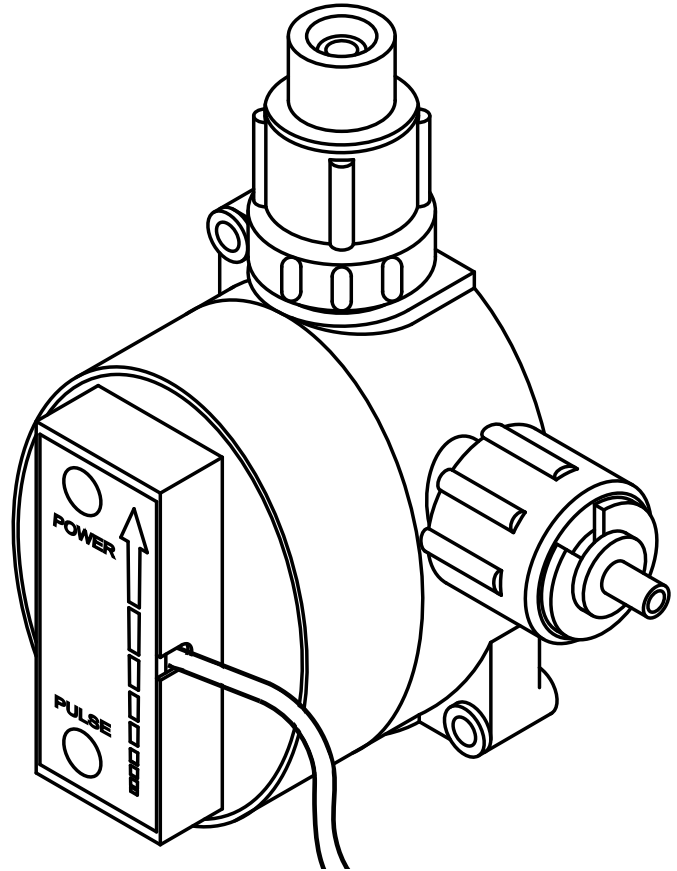


FloTracker

Pump Feed Verification with Digital Pump Flow Measurement



Key Features

- Measures Pump Output
- Mounts on MicroTron Pumps or a Wall
- Pulse Output of Flow to Controller or A & R Pumps
- Loss of Prime Notification
- Inventory Management
- LED Indicators
- Instantaneous Confirmation

Application

The FloTracker from Advantage Controls keeps track of a pump flow output by actually measuring product passing through the discharge tubing or piping.

FloTracker transmits a digital pulse output for every 3 mL or 0.1 oz of flow through the precision elliptical gears.

The pulse output can be tracked and processed by Series A and R pumps or MegaTron controllers for inventory control, loss of prime notification and feed verification.

FloTracker can be mounted directly onto Advantage pumps, a wall or a panel with tubing and piping connection options.

Build a Model

The FloTracker is available as a stand alone accessory item.

If ordering a FloTrackers as a stand alone item:

FLT- _ _ _ _ _

Build your model number by selecting one code from each step. Example: FLT-RKVC1

Step 1 FloTracker Body Material

- R = Ryton
- K = Kynar

Step 2 Check Valve Body Material

- K = Kynar (PVDF)
- M = Kynar Head w/ SS MNPT Valves*
- S = 316SS*

Step 3 Seat Material

- V = Viton
- F = Teflon
- H = Hypalon

Step 4 Check Ball

- C = Ceramic
- D = Ceramic single on discharge
- S = Stainless

Step 5 Tubing Connections

- 1 = 3/8" PE, models up to 150 psi
- 2 = 1/4" PE, 250 psi models
- 3 = 3/8" PE on 250 psi models
- P = 1/4" MNPT
- V = 3/8" Clear flexible suction tubing

* M and S Body options require P connection code and do not include tubing, foot, or injection fittings.

NOTE: All units are shipped containing one pump adapter and both the 3/8" and 1/4" tubing adapters for easy installation.

Advantage Controls offers a complete line of water treatment controls and feed equipment. We look forward to helping you *Get the Advantage* on all of your water treatment equipment needs.

Specifications

Power

- **Input:** 4.5 to 24 VDC
- **Output:** Open collector; (20mA max)
3.0 mL / pulse

Environment

- **Temperature:** 32 to 132°F (0-55°C)
- **Pressure:** 220 psi (14 Kg/cm²)
- **Flow:** 55 GPD
- **Viscosity:** 1 to 50 cps

Operational

- **Repeat Accuracy:** +/- 1%
- **LED:** Green on with power
Red on each pulse

Note: Back pressure, temperature, flow rate and chemical properties may affect individual installation specifics.

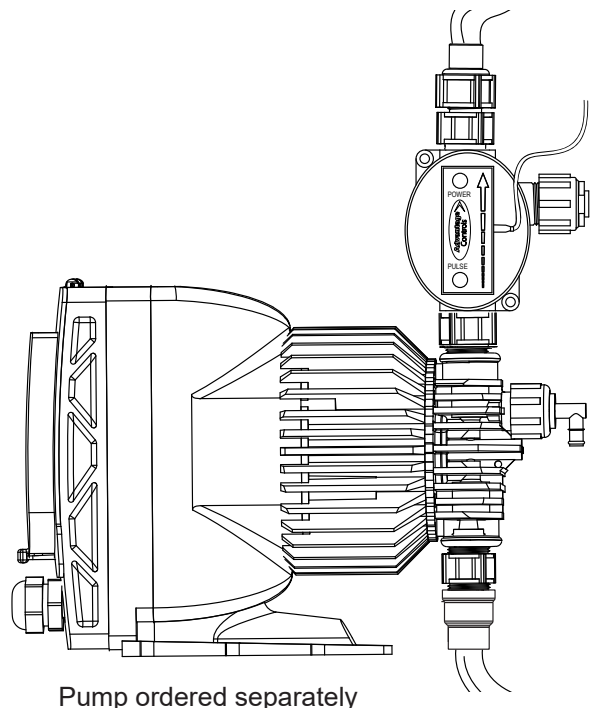
Each individual FloTracker will provide a pulse output that is in a range of 3.0 to 3.5 mL per pulse. Once an individual FloTracker's precise output is determined the repeat accuracy will be +/- 1%

Dimensions

5.3 x 3.3 x 1.6 in (136 x 84 x 39 mm)

Weight

- **1 lb** Shipping weight



Get the Advantage

02/2018

4700 Harold Abitz Dr
Muskogee, OK 74403
800-743-7431 phone
888-686-6212 fax
www.advantagecontrols.com

