

# EVC Systems

*Timed Sampling  
Conductivity  
Control for  
Evaporative  
Condensers*



## Key Features

- Simple Installation
- Protective Enclosure
- 1 or 3 Timers
- Economical Package
- Total Package Numbering
- Timed Sampling
- Simple Step Through Menu

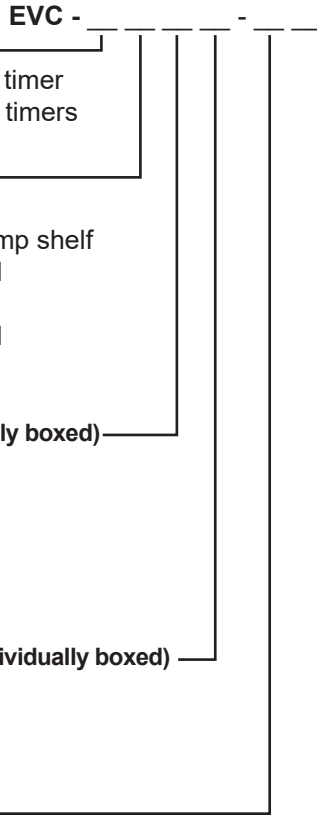
## Application

EVC Systems for evaporative condensers allow for a simple installation without a sample loop using timed sampling control.

One 3/4" pipe from cooler to drain through the EVC provides conductivity bleed control.

Selectable feed timer(s) options include: pulse, post bleed, with bleed, recycle or 28-day biocide.

# Build a Model



**Controller Selection**

- 1 = Nano-C control with 1 timer
- 3 = Micro-C control with 3 timers

**Board Selection**

- X - No board
- A - 3/8" poly board no pump shelf
- B - Mounts EVC on board with 1 pump shelf
- C - Mounts EVC on board with 3 pump shelf

**Pump Selection (Individually boxed)**

- X - No pumps
- 1 - One 15 gpd pump
- 2 - One 30 gpd pump
- 3 - Three 15 gpd pumps
- 4 - Three 30 gpd pumps

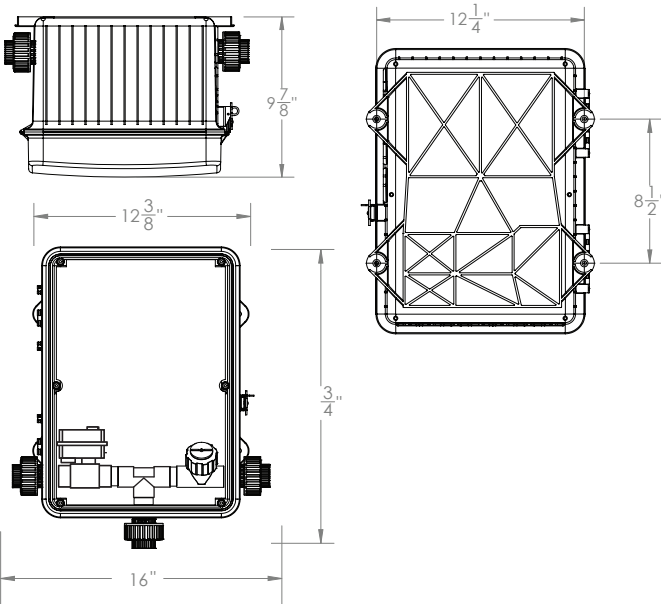
**Water Meter Selection (Individually boxed)**

- X - No water meter
- A - 3/4" water meter
- B - 1" water meter

**Options**

- A = 120VAC conduit
- A3 = 220VAC liquid tights
- B = Black cover on EVC
- K1 = In left out right plumbing
- K2 = Removes isolation valve & adds return tee out bottom of enclosure
- S = 3/4" PVC sample tee & valve (loose with no board)

**Dimensions**



# Specifications

**Electrical**

- **Input:** 100-240 VAC, 50/60 Hz
  - **Control:** Input VAC, 3 Amp / relay
- Prewired units are supplied with an 8' (248.84 cm) power cord and 8" (20.32 cm) output receptacles.
- **Water Meter:** Dry contact  
Hall-effect; +5 VDC input

**Operational**

- **Conductivity Scale Ranges:**
  - Low:** 5-1,000µS
  - Mid:** 100-5,000µS
  - High:** 1,000-20,000µS for towers
- **Display:** LCD 1 x 16 backlit alphanumeric
- **Timers included in all models:**
  - Pulse:** 1-9999 counts, MM:SS run time
  - Recycle:** HH:MM off cycle, MM:SS on cycle
  - 28-Day:** Weeks, Days, HH:MM run time
  - With Bleed:** HH:MM limit time
  - Post Bleed:** 0-100%, HH:MM limit time

**Enclosure**

NEMA 4X style high impact thermoplastic

**Environment**

Ambient temperature: 0° to 125°F (-17 to 52°C)  
Relative humidity: 0 to 100%

**Electrode**

Standard tower electrode is supplied in a 3/4" (1.91 cm) Sch. 80 PVC female slip tee with quick release nut.

- **TE-4A** 120 PSI (8.2 bar) @ 125°F (51.67°C)

**Shipping Weight:**

Approximately 15 lbs.  
with B board selection: 33 lbs.  
with C board selection: 40 lbs.

**Dimensions with Panel:**

	<b>B</b>	<b>C</b>
Width:	33"	42"
Height:	18"	24"
Depth:	11"	11"

**Get the Advantage**



4700 Harold Abitz Dr  
Muskogee, OK 74403  
800-743-7431 phone  
888-686-6212 fax  
www.advantagecontrols.com