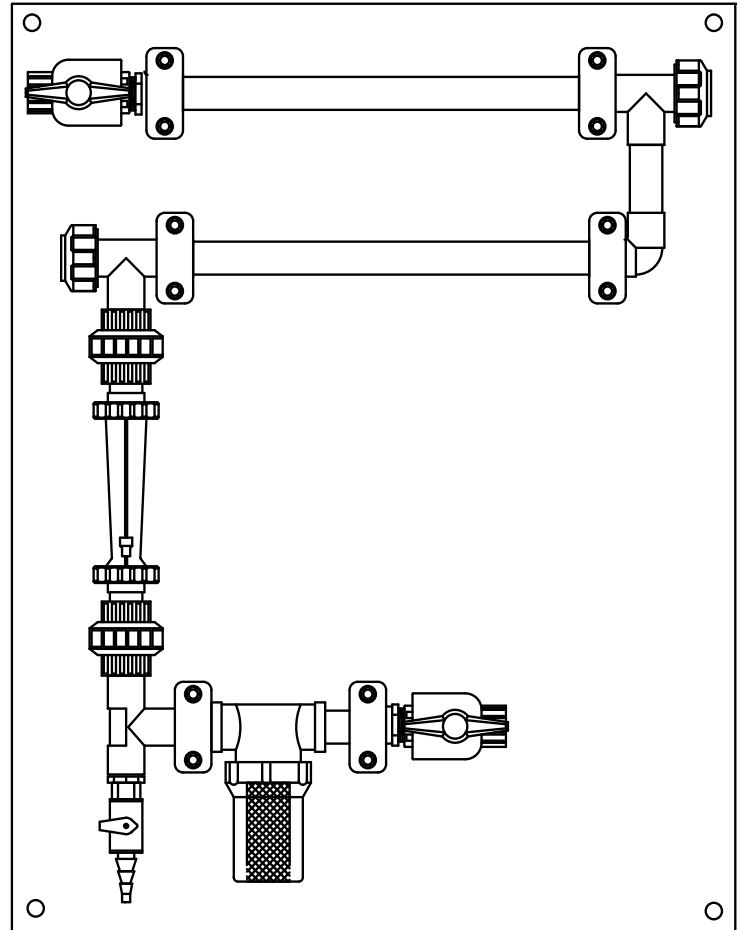


Corrosion Coupon Racks

With Quick Disconnect Holder



ACR-20-B7EG

Key Features

- Built to ASTM Specifications
- Quick Release Holder
- Corrosion Resistant
- Polyethylene Panel Mount
- PVC, CPVC Black Iron or
Stainless Steel Construction
- Up to Six Coupon Holders
- Inlet & Outlet Ball Valves

Application

Advantage Controls corrosion coupon racks provide a reliable way of monitoring the effectiveness of your water treatment program against the damaging effects of corrosion.

Our revolutionary "Quick Disconnect" coupon holder design with o-ring seal requires no wrenches for removing the coupon. Simple hand loosen and tighten.

All standard models include the coupon holder(s), nylon coupon mounting hardware, inlet and outlet ball valves mounted on a corrosion resistant polyethylene panel for a professional installation appearance.

**Quick disconnect style coupon holders available only on 3/4" and 1" PVC & CPVC models.
Select the material, pipe size, number of holders, and options required.**

ACR - _____

of Holders (1-6)

1	=	16" (40.7cm) tall	x	22" (55.8cm) wide	x	8" (20.32cm) deep
2	=	16" (40.7cm) tall	x	22" (55.8cm) wide	x	8" (20.32cm) deep
3	=	20" (50.8cm) tall	x	22" (55.8cm) wide	x	8" (20.32cm) deep
4	=	25" (63.5cm) tall	x	22" (55.8cm) wide	x	8" (20.32cm) deep
5	=	31" (78.74cm) tall	x	22" (55.8cm) wide	x	8" (20.32cm) deep
6	=	36" (91.44cm) tall	x	22" (55.8cm) wide	x	8" (20.32cm) deep

Material

0	=	3/4" (19.05mm) PVC Sch 80 pipe.....	120 PSI (8.2 bar) @ 125°F (51.67°C)
1	=	1" (25mm) PVC Sch 80 pipe	120 PSI (8.2 bar) @ 125°F (51.67°C)
2	=	3/4" (19.05mm) CPVC Sch 80 pipe	80 PSI (5.5 bar) @ 180°F (82.22°C)
3	=	1" (25mm) CPVC Sch 80 pipe	80 PSI (5.5 bar) @ 180°F (82.22°C)
5	=	3/4" (19.05mm) Black Iron Sch 40 pipe	300 PSI (20.6 bar) @ 300°F (148.9°C)
8	=	1" (25mm) Black Iron Sch 40 pipe	300 PSI (20.6 bar) @ 300°F (148.9°C)
9	=	3/4" (19.05mm) Stainless Steel pipe	300 PSI (20.6 bar) @ 300°F (148.9°C)

Options

- A Flow Control Orifice; 3 gpm (11.35 lpm); 200 PSI (13.7 bar) max
- B-2 Flow Indicator; 6" long; 1-10 gpm; 145 psi (9.9 bar) @ 212°F (100°C) max
- B-7 Flow Indicator; 7.5" long; 1-10 gpm; 3/4" (19.05mm); 100 psi (6.8 bar) @ 125°F (51.6°C) max
- C Flow Control Orifice; 5 gpm (18.92 lpm); 200 PSI (13.7 bar)
- E Sample Tee with Valve
- F Back Flow Check Valve
- G Basket Strainer; 3/4" (19.05mm); 120 PSI (8.2 bar) @ 80°F (26.6°C)
- H Steel Y-Strainer
- J Clear PVC Piping over Coupon (only for PVC models) 120 PSI (8.2 bar) @ 80°F (26.6°C).
- K2 True union isolation valve; 3/4" (19.05mm)
- K3 True union isolation valve; 1" (25mm)
- K4 Brass isolation valve on PVC / CPVC models
- L FNPT opening for corrotor probe; 3/4" (19.05mm); Includes Pipe Plug for 3/4" & 1" PVC Racks only
- L1 PVC quick release corrotor tee; 3/4" (19.05mm) - for 3/4" & 1" PVC Racks only
- L2 FNPT tee for hight temp Advantage corrosion sensor; 1" (25mm)
- N Blue Poly; 1/2" (12.7mm)
- R22 Two 3/4" SS injection tees
- R3 (3) PVC quick release probe tees; 3/4" (19.05mm) - for 3/4" PVC racks only
- S Removable section of black iron pipe; 3/4" (19.05mm)

Additional options available. Consult dealer for more information.

Notes:

1. Recommended coupon size: 4 1/2" (114.3mm) length x 1/2" (12.7mm) width x 1/16" (15.88mm) thickness with 13/64" (5.16mm) mounting hole.
2. Options selected may change max psi and temperature ratings of rack.
3. Black iron or SS racks are recommended for hot closed loops.
4. All racks require 8" of depth clearance from wall.

Get the Advantage



4700 Harold Abitz Dr
Muskogee, OK 74403
800-743-7431 phone
888-686-6212 fax
www.advantagecontrols.com